

# Product Information

Dispense valve, DN 8



**A.u.K. Müller**

Solenoid valves  
Control valves  
Special valves and systems

A.u.K. Müller GmbH & Co. KG  
Dresdener Str. 162  
D-40595 Düsseldorf/Germany

Tel.: +49 211 7391-0  
Fax: +49 211 7391-281

e-mail: [info@akmueller.de](mailto:info@akmueller.de)  
Internet: [www.akmueller.de](http://www.akmueller.de)

series 46.008.118



## Description

2/2-way solenoid valve of nominal diameter DN 8 for liquid dispense. This valve is direct acting and normally closed (NC).

Valves of this design are medium separated seat valves, where the plunger is separated by a diaphragm from the medium. The valve seat is made of scale build up inhibiting PTFE. The internal slope of the inlet reliably redirects air bubbles back into the boiler.

This valve can be manufactured with a variety of customised connections in DC or AC voltage. Low power or PPM triggering can be used.

Electrical operating safety is achieved by PBT coating of the coil and can be supported by an additional protection circuit.

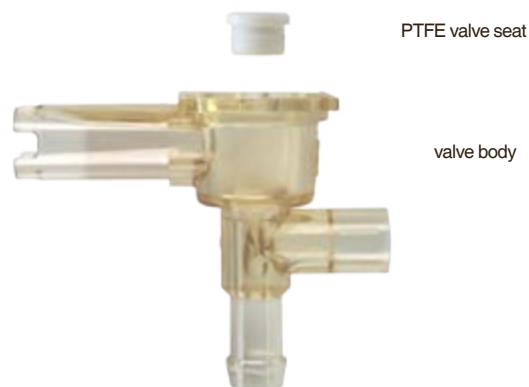
The valve is distinguished primarily by its food grade and hot water capability.

## Applications

- hot / cold drink dispensers
- tank or boiler draining
- automatic animal feeding equipment

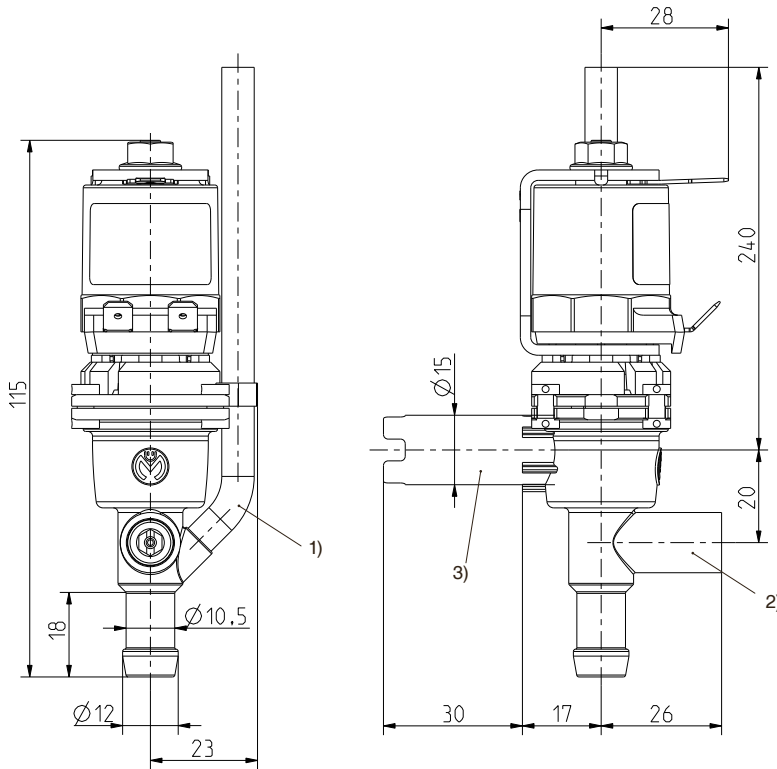
## Characteristics

- direct acting
- plunger separated by diaphragm from medium
- redirection of air bubbles by means of sloped inlet
- PTFE valve seat to inhibit scale build up
- drop deflection of membrane reduces lime scale build up near valves seat
- long term performance capability
- flow rate adjustable (flow regulation screw)
- suitable for food and hot water appliances
- works from zero pressure
- similar hydraulic performance for AC or DC types
- complete drainage of valve outlet after shut off
- easy to assemble and service
- coil change without opening of medium circuit, coil can be mounted 4 x 90°
- high operating safety through the use of high quality and 100% final testing of the products

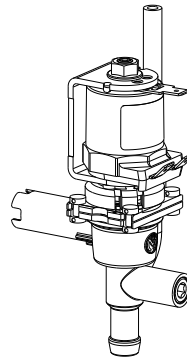




series 46.008.118



Materials	
Valve body	PSU
Valve seat	PTFE
Plunger guide	stainless steel
Plunger	stainless steel
Membrane	VMQ FMQ (on request)
Sealings	VMQ
Coil coating	PBT, PET or epoxy resin

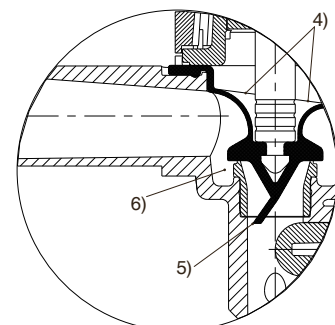
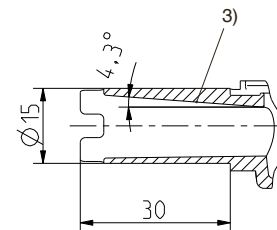


Technical Data

Type	dispense valve		
Construction	2/2-way single chamber valve inlet ninety degree to the outlet, direct acting		
Function	NC (normally closed)		
Fitting position	coil pointing upwards		
Media	cold and heated potable water and physically and chemically similar media		
T-Medium	98	°C max.	
T-Ambient	70	°C max.	
DN	8	mm	
Flow	adjustable at outlet nozzle		
p-Operating	0 - 60 mbar		
Coil type	MS.006		
Nominal voltages	230	V AC	50/60 Hz
	110	V AC	50/60 Hz
	24	V AC	50/60 Hz
	24	V DC	
	other voltages on request		
Voltage tolerance	+10% -15%		
Duty cycle	AC 50% (cycle 1 min) DC 100%		
Nominal power	9,5 W	16,4 VA (AC only)	
Protection type	IP 00	higher IP-classes on request	
Coil connection	flat tabs 6,3 x 0,8 mm (others on request)		
Insulation class	F	according to EN 60730	
Protection class	I	according to EN 60730 (for incorporation in class I)	

Options

- 1) Ventilation of outlet nozzle to drain downstream tubing completely. Different lengths of breather tube on request.
- 2) Regulation screw for vernier adjustment of flow.
- 3) Internally angled inlet nozzle
- 4) Inlet angle continued through membrane
- 5) Membrane "tail" is vibrated during closing to minimize drips  
Tail is angled to channel final drip away from critical area patented EP 1 286 092
- 6) Raised valve seat positioned away from scale collecting areas



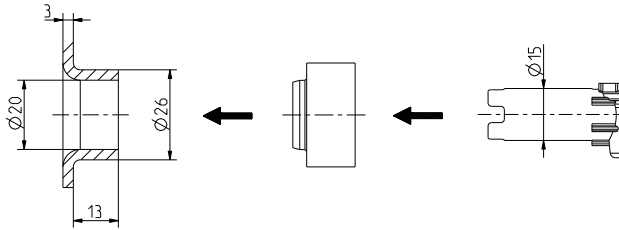


**Series 46.008.118**

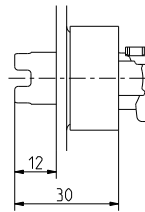
**tank sealings** material: VMQ

for valve body  
version

ID.

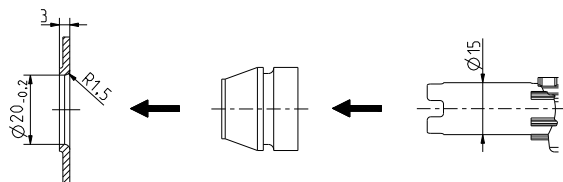


~001



seal for tank inlet nipples

004966



~001

seal for circular tank holes

006723





**A.u.K. Müller**