

# Product Information

## Mono stable axial cartridge valve, DN 7



### A.u.K. Müller

Solenoid valves  
Control valves  
Special valves and systems

A.u.K. Müller GmbH & Co. KG  
Dresdener Str. 162  
D-40595 Düsseldorf/Germany

Tel.: +49(0)211-7391-0  
Fax: +49(0)211-7391-281

e-mail: [info@akmueller.de](mailto:info@akmueller.de)  
<http://www.akmueller.de>

### Series 050-M07-12X/-24X



### Characteristics

- servo-controlled
- pre tested functional unit
- long term performance capability
- internal triple pollution protection
- compact design
- optimized Cv-value for DN 7
- optimized water hammer characteristic by low noise emission according to EN 60730
- easy to assemble and service
- standard connection
- cylindrical design
- low power consumption
- any fitting position
- suitable for spray and jet water
- high operating safety through the use of high quality and 100% final testing of the products

### Applications

- sanitary fittings
- irrigation systems
- industrial appliances
- pilot system for valves with a larger nominal diameter

### Description

2/2-way solenoid cartridge servo controlled valve of DN 7 in mono stable version, to be used particularly in electronically controlled sanitary fittings.

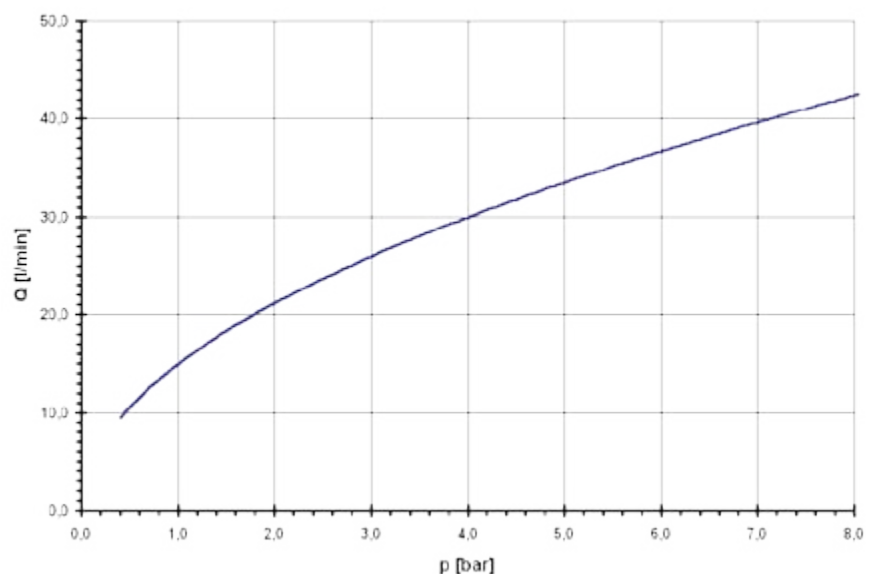
The design outline had been reduced so far, that integration in appropriate components while using a minimum amount of space, is given.

Positive properties are extended due to the simple "screw in" version, which supports easy assembly, service and tests by the customer.

The design of a separate valve seat by the customer is not to apply, as otherwise is needed, if a pilot valve will solely be used.

The rate of flow of the cartridge valve has been optimized in such a way, that the nominal diameter of DN 7 fulfils the standard requirements for sanitary tap ware.

typical performance curve



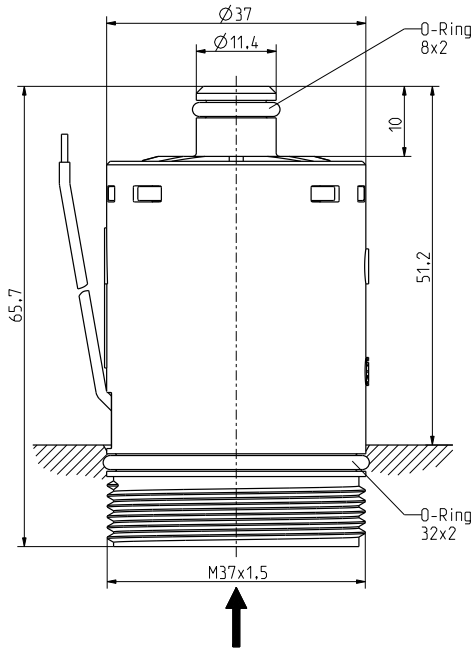
# Product Information

## Mono stable axial cartridge valve, DN 7



A.u.K. Müller

### Series 050-M07-12X/-24X

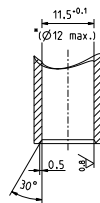


### Technical Data

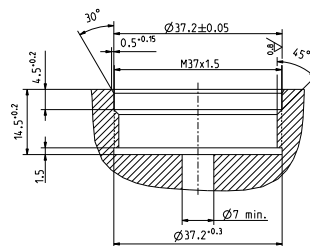
Type	2/2-way-cartridge valve	
Construction	screw-in, servo controlled	
Function	normally closed (NC)	
Connection	thread M37 x 1,5	
Fitting position	any	
Media	cold and heated potable water and physically and chemically similar media	
T-Medium	5 - 70	°C.
T-Ambient	5 - 60	°C
DN	7	mm
p-Operating	0,5 - 8,0	bar
Cv-value	15	l/min
Pressure surge	according to EN 60730	
Coil type	MS.033	
Nominal voltage	12	V DC
	24	V DC
	special voltage on request	
Voltage tolerance	-15% +10%	
Voltage reduction		
	tstart : 100 ms tp:T ≥ 1:4 [≥1,6kHz] PWM	
Duty cycle	100%	
Nominal power	2 W	
Protection Type	IP 65	higher IP-classes on request
Insulation class	F	according to EN 60730
Protection class	III	according to EN 60730

### Materials

Valve body	POM, PEI
Plunger guide	stainless steel
Plunger	stainless steel
Membrane and sealings	EPDM NBR (on request) VMQ (on request)
Coil	1.0338 "pot"-bracket
Filter	stainless steel (in inlet)
Certification	NSF, WRAS materials in contact with potable water are physiological harmless



Auslaufkontur



Einschraubkontur

### Options

Connection type	standard cable length
with leads and connector	100 mm
with leads	120 mm
connector	on request