

# Product Information

acentric cartridge valve, bistable



**A.u.K. Müller**

Solenoid valves  
Control valves  
Special valves and systems

A.u.K. Müller GmbH & Co. KG  
Dresdener Str. 162  
D-40595 Düsseldorf/Germany

Tel.: +49(0)211-7391-0  
Fax: +49(0)211-7391-281

e-mail: [info@akmueller.de](mailto:info@akmueller.de)  
<http://www.akmueller.de>

**Series 19.007.277**



## Characteristics

- servo-controlled
- long term performance capability
- internal double pollution protection
- compact design
- optimized water hammer characteristic by low noise emission according to EN 60730
- easy to assemble and service
- low power consumption
- any fitting position
- high operating safety by the use of high quality materials and 100% final testing of the products

## Applications

- sanitary fittings
- irrigation systems
- industrial appliances
- pilot system for valves with a larger nominal diameter

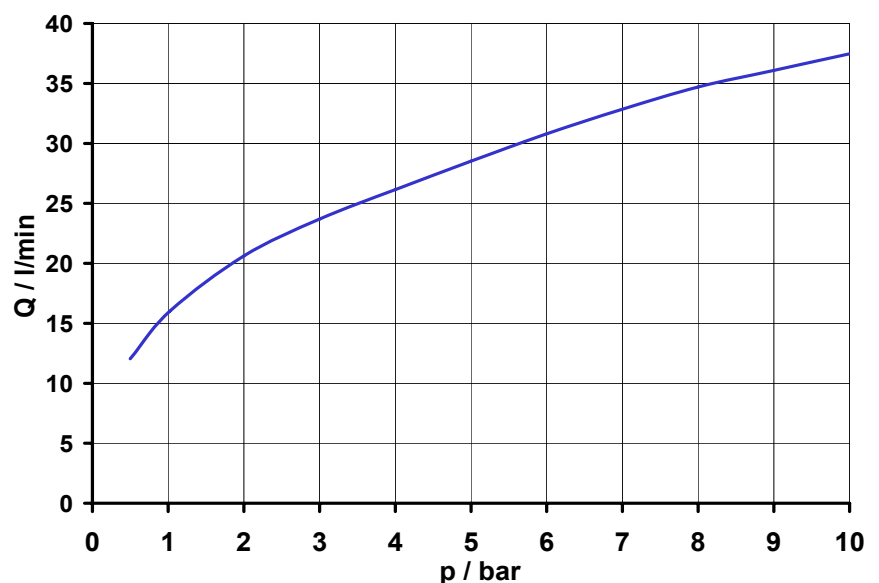
## Description

2/2-way bistable servo controlled solenoid valve, DN 7, in cartridge design. Especially developed to control potable water in battery driven, opto electronically operated faucets.

Power consumption is minimised by use of rectangular pulse control to increase long term performance, durability and battery life.

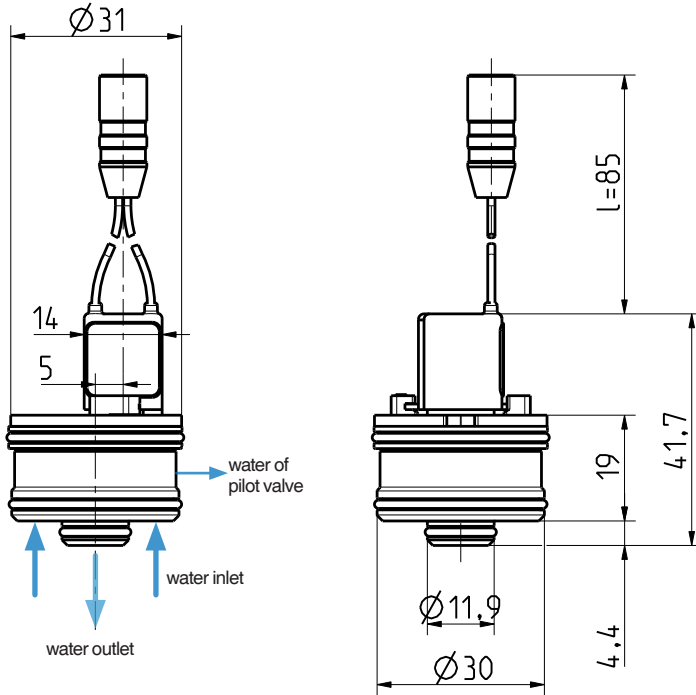
Compact design makes it easy to integrate the valve into sanitary faucets and the plug-in design simplifies installation and service.

typical performance curve (determined plug-in contour)





**Series 19.007.277**



**Technical Data**

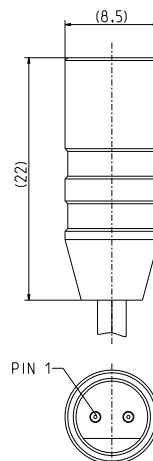
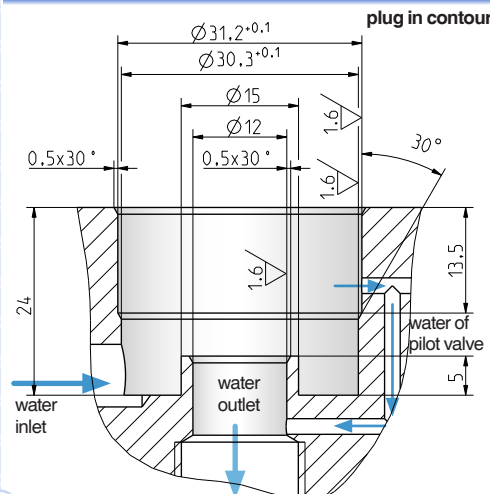
<b>Type</b>	2/2-way acentric cartridge valve, bistable	
<b>Construction</b>	plug-in, servo controlled	
<b>Function</b>	bi stable, pulse controlled	
<b>Fitting position</b>	any	
<b>Media</b>	cold and heated potable water and physically and chemically similar media	
<b>T-Medium</b>	5 - 70	°C.
<b>T-Ambient</b>	5 - 50	°C
<b>DN</b>	7	mm
<b>p-Operating</b>	0,5 - 10,0	bar
<b>Cv-value</b>	16	l/min
<b>pressure surge</b>	according to EN 60730	
<b>Nominal voltage</b>	6 (9	V DC (V DC on request)
	special voltage on request	
<b>Operating voltage</b>	4,75 - 7,5 V DC open/close	
<b>Pulse shape/-time</b>		
<b>Nominal power</b>	1,4 W	at nominal voltage
<b>Protection Type</b>	IP 65	
<b>Insulation class</b>	B	according to EN 60730
<b>Protection class</b>	III	according to EN 60730

**Materials**

<b>Valve body</b>	PSU
<b>Plunger guide</b>	POM
<b>Plunger and spring</b>	stainless steel
<b>Membrane and sealings</b>	EPDM
<b>Coil coating</b>	Macromelt



**Options**



**Male connector**

**Polarity of connector:**  
 strand color **RED** Pin 1 PLUS(+) pulse to open  
 strand color **BLACK** MINUS(-)