



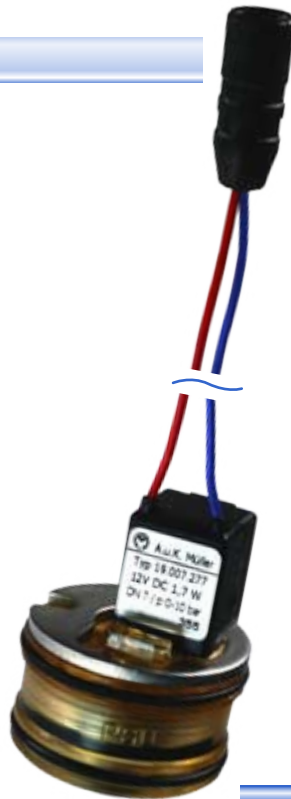
Solenoid valves  
Control valves  
Special valves and systems

A.u.K. Müller GmbH & Co. KG  
Dresdener Str. 162  
D-40595 Düsseldorf/Germany

Tel.: +49 211 7391-0  
Fax: +49 211 7391-281

e-mail: [info@akmueller.de](mailto:info@akmueller.de)  
Internet: [www.akmueller.de](http://www.akmueller.de)

Series 19.007.277



### Characteristics

- servo-controlled
- long term performance capability
- internal double pollution protection
- compact design
- optimized water hammer characteristic by low noise emission according to EN 60730 in plug in contour
- easy to assemble and service
- low power consumption
- any fitting position
- high operating safety by the use of high quality materials and 100% final testing of the products

### Applications

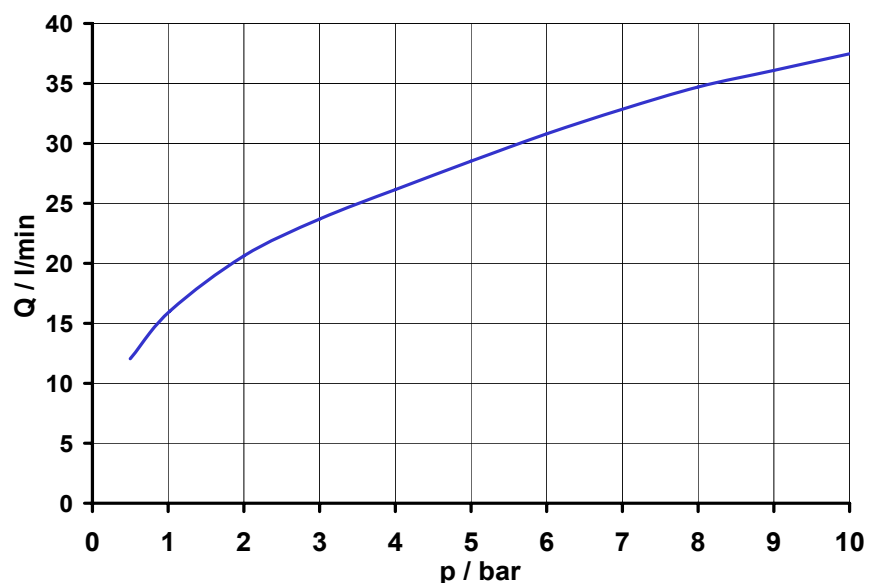
- sanitary fittings
- irrigation systems
- industrial appliances
- pilot system for valves with a larger nominal diameter

### Description

2/2-way monostable servo controlled solenoid valve, DN 7, in cartridge design. Especially developed to control potable water in opto electronically operated faucets.

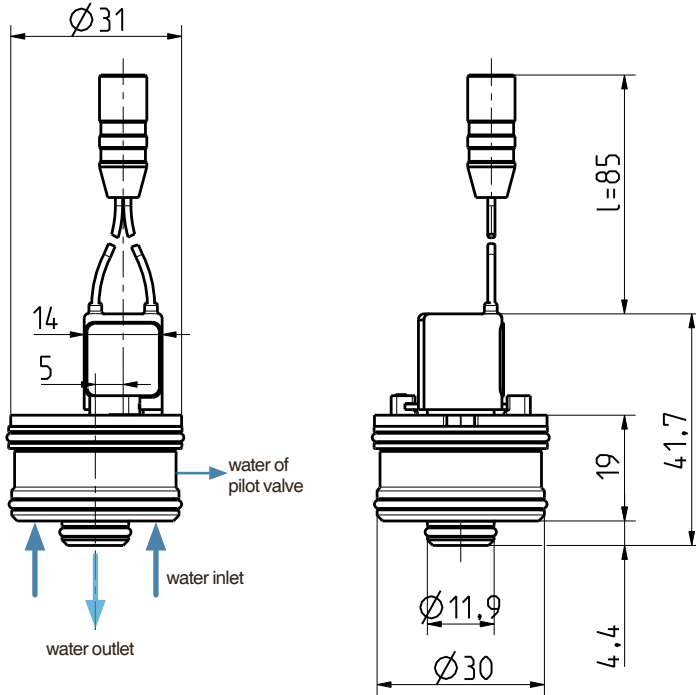
Compact design makes it easy to integrate the valve into sanitary faucets and the plug-in design simplifies installation and service.

typical performance curve (determined plug-in contour)





Series 19.007.277



Technical Data

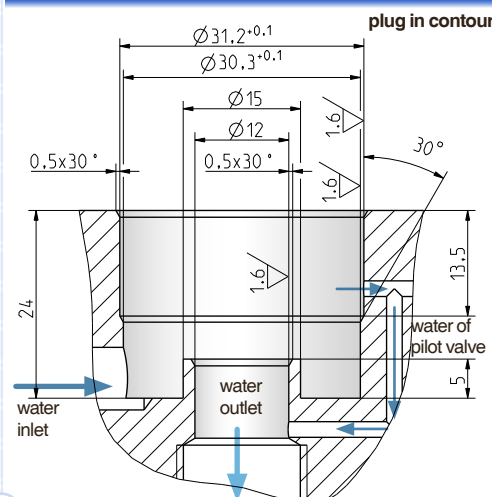
Type	acentric cartridge valve, monostable	
Construction	2/2-way, plug-in, servo controlled	
Function	NC (normally closed)	
Fitting position	any	
Media	cold and heated potable water and physically and chemically similar media	
T-Medium	5 - 70	°C.
T-Ambient	5 - 50	°C
DN	7	mm
p-Operating	0,5 - 10,0	bar
Cv-value	16	l/min
pressure surge	according to EN 60730	
Nominal voltage	12	V DC
	24	V DC
	12	V AC 50/60Hz
	special voltage on request	
Voltage tolerance	-15 % +10 %	
Duty cycle	100%	
Nominal power	12 V DC	1,7 W
	24 V DC	1,8 W
	12 V AC	1,0 W
		1,33 VA (AC only)
Protection Type	IP 65	
Insulation class	B	according to EN 60730
Protection class	III	according to EN 60730

Materials

Valve body	PSU
Plunger guide	POM
Plunger and spring	stainless steel
Membrane and sealings	EPDM
Coil coating	Macromelt



Options



Male connector

Polarity of connector:  
strand color RED Pin 1  
strand color BLUE

