

Product Information

Pilot valve, bistable



A.u.K. Müller

Solenoid valves
Control valves
Special valves and systems

A.u.K. Müller GmbH & Co. KG
Dresdener Str. 162
D-40595 Düsseldorf/Germany

Tel.: +49 211 7391-0
Fax: +49 211 7391-281

e-mail: info@akmueller.de
Internet: www.akmueller.de

Series 19.00x.287



Characteristics

- long term performance capability by the use of high quality materials
- suitable for hot water up to 70°C
- ambient temperature up to 50°C
- bistable version
- testing of each device ensures highest quality standard

Applications

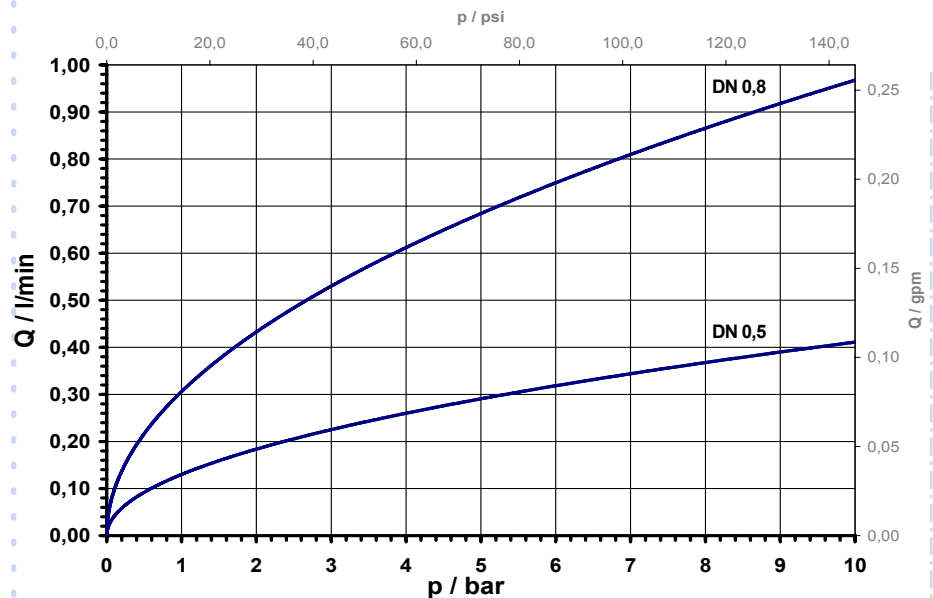
- pilot valve unit for servo controlled main valves
- valve for low quantity dispense

Description

2/2-way pilot valve DN 0,5 or DN 0,8 for servo controlled valves.

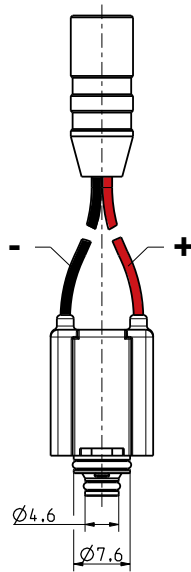
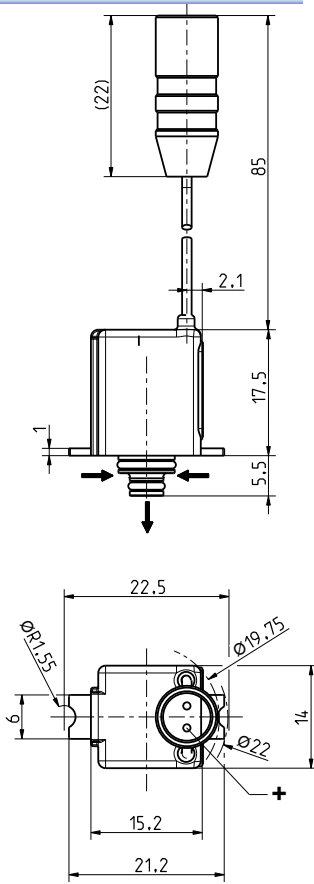
Power consumption is minimised by use of rectangular pulse control to increase long term performance, durability and battery life.

typical performance curve (determined in plug-in contour)





Series I9.00x.287



Technical Data

Type	pilot valve	
Construction	2/2-way, plug-in, direct controlled	
Function	bi stable, pulse controlled	
Fitting position	any	
Media	cold and heated potable water and physically and chemically similar media	
T-Medium	5 - 70	°C
T-Ambient	5 - 50	°C
DN	0,5 0,8	mm
p-Operating	0 - 10,0 bar	
Cv-value		
DN 0,5	0,13	l/min
DN 0,8	0,31	l/min
Nominal voltage	6 (9	V DC V DC on request)
Operating voltage	4,75 - 7,5 V DC open/close at T-Ambient 25 °C	
Pulse shape/-time		
Nominal power		
DN 0,5	1,4 W	at nominal voltage
DN 0,8	1,8 W	at nominal voltage
Protection type	IP 65	
Insulation class	A	according to EN 60730

Materials

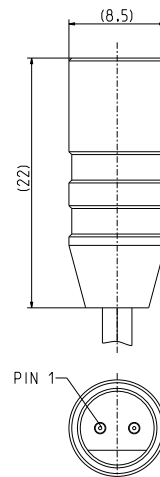
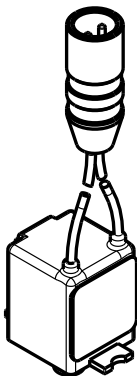
Plunger guide and vave body	POM
Plunger and spring	stainless steel
Seal	EPDM (VMQ on request)
O-Rings	EPDM
Coil coating	hotmelt

Male connector

Polarity of connector:

strand color **RED** Pin 1 PLUS(+)
pulse to open

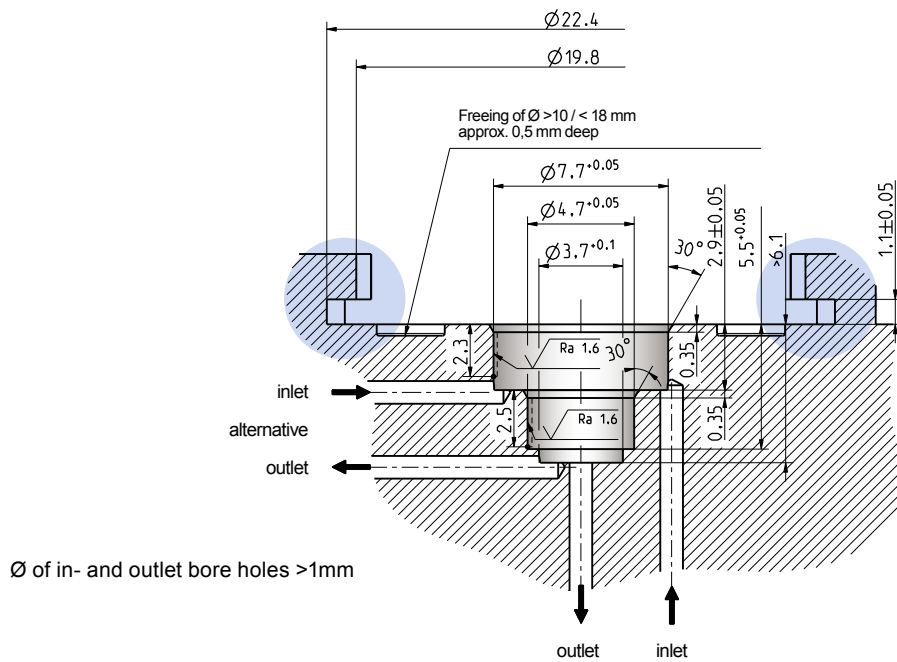
strand color **BLACK** MINUS(-)



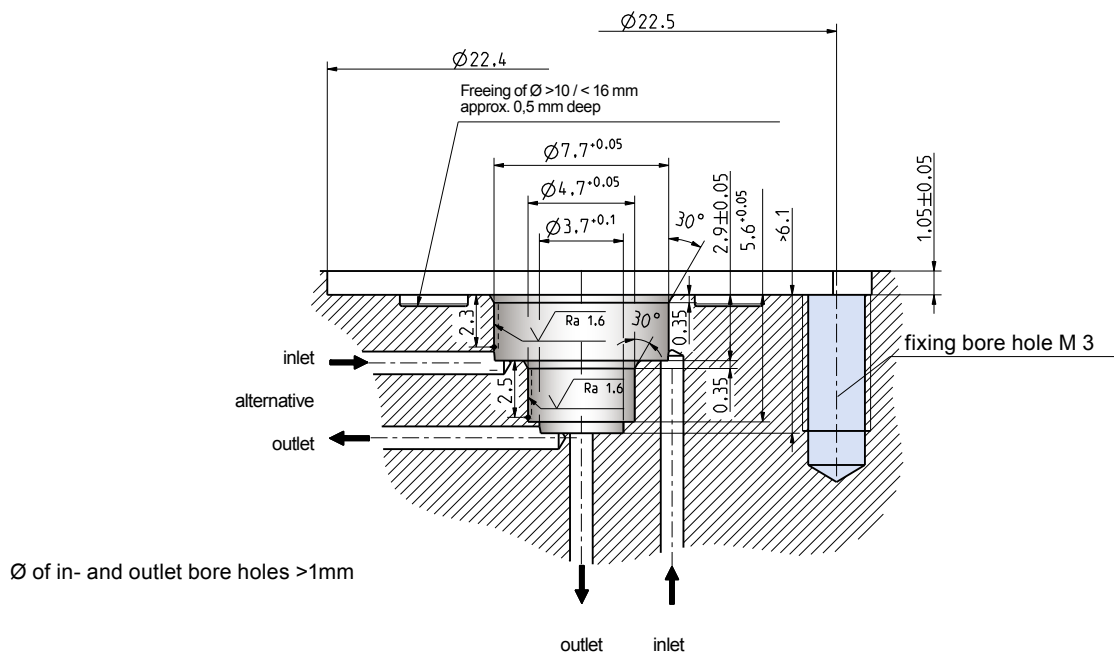
Series 19.00x.287

Plug in contours

Bayonet fixing



Screwed fixing





A.u.K. Müller