

Product Information

Solenoid valve bistable, DN 7



A.u.K. Müller

Solenoid valves
Control valves
Special valves and systems

A.u.K. Müller GmbH & Co. KG
Dresdener Str. 162
D-40595 Düsseldorf/Germany

Tel.: +49(0)211-7391-0
Fax: +49(0)211-7391-281

e-mail: info@akmueller.de
<http://www.akmueller.de>

Series 39.007.126



Characteristics

- servo-controlled
- long term performance capability
- compact design
- optimized Cv-value for DN 7
- optimized water hammer characteristic by low noise emission according to EN 60730
- easy to assemble and service
- standard connection
- low power consumption
- any fitting position
- high operating safety through the use of high quality and 100% final testing of the products

Applications

- sanitary fittings
- irrigation systems
- industrial appliances

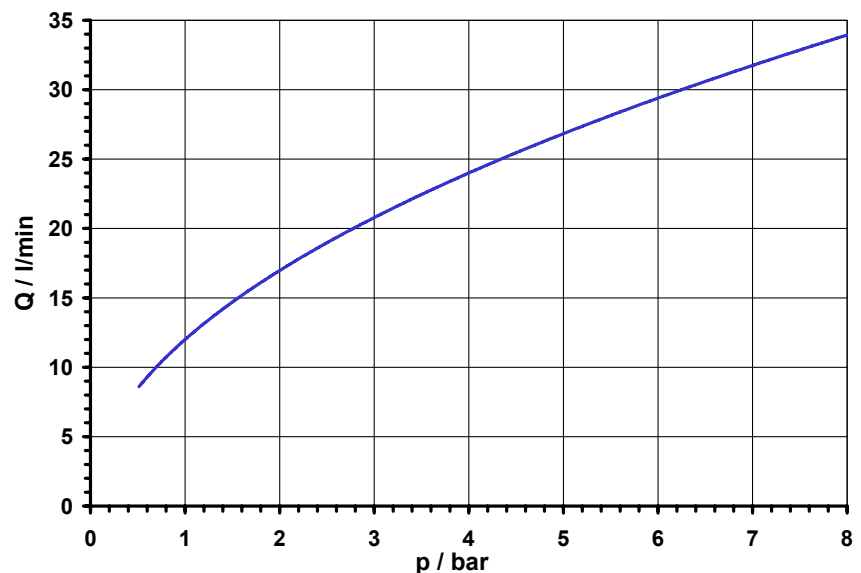
Description

2/2-way solenoid servo controlled valve of DN 7 in bi stable version, to be used particularly in electronically controlled sanitary fittings.

The power consumption is minimised by the use of impulse control (pwm) to increase long term performance, durability and battery life.

The flow rate of the valve has been optimized in such a way that the nominal diameter of DN 7 fulfils the standard requirements for sanitary tap ware.

typical performance curve



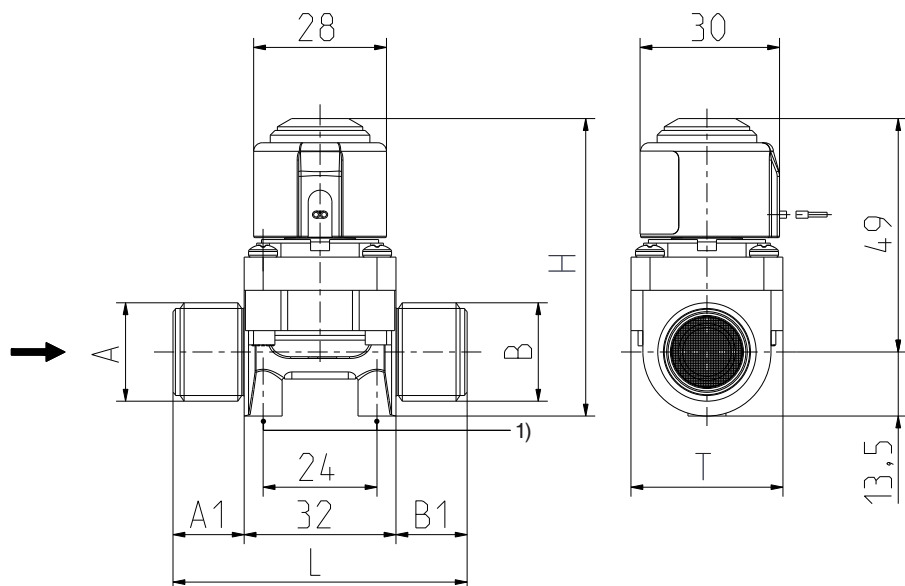
Product Information

Solenoid valve bi stable, DN 7

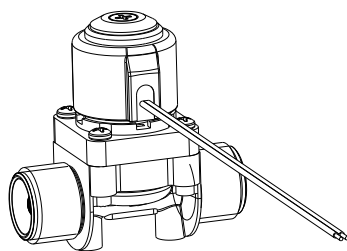


A.u.K. Müller

Series 39.007.126



Materials	
Valve body	PA 66 glass fibre reinforced PPE on request
Plunger guide	stainless steel
Plunger	stainless steel
Membrane and seals	EPDM
Coil	1.0338 "pot"-bracket
Filter	stainless steel (in inlet)



1) Fixing possibility for self tapping screw Ø 3,5

Options

Material	Inlet		Fixing groove		Outlet		Length	Height	Depth
	Ø A	A1		Ø B	B1	L	H	T	
PA 66	G 1/2	15,0	no	G 1/2	15,0	62,0	63,0	32,0	
PA 66	G 3/8	13,0	no	G 3/8	13,0	58,0	63,0	32,0	
PA 66	G 3/4	18,5	yes	G 3/4	15,0	72,0	63,0	32,0	
PA 66	G 3/8	13,0	no	12,0 Nozzle	15,5	62,0	63,0	32,0	
PA 66	G 1/2	15,0	no	12,0 Nozzle	15,5	64,0	63,0	32,0	
PA 66	G 3/4	18,5	yes	12,0 Nozzle	15,5	74,0	63,0	32,0	
PA 66	G 3/4	18,5	yes	G 3/8	13,0	70,0	63,0	32,0	
PA 66	G 3/4	18,5	yes	G 1/2	15,0	72,0	63,0	32,0	
PPE beige	G 3/8	13,0	no	G 3/8	13,0	58,0	63,0	32,0	
PPE beige	Rd 8,0	19,0	no	Rd 8,0	19,0	70,0	63,0	32,0	

Technical Data

Type	solenoid valve	
Construction	2/2-way single chamber straight valve, servo controlled	
Function	bi stable, pulse controlled	
Fitting position	any	
Media	cold and heated potable water and physically and chemically similar media	
T-Medium	5 - 70	°C.
T-Ambient	40	°C max.
DN	7	mm
p-Operating	0,5 - 8,0	bar
Cv-value	12	l/min
flow regulator	on request	
pressure surge	according to EN 60730	
Coil type	MS.032	
Nominal voltage	6	V DC
	9	V DC
	special voltage on request	
Operating voltage	4 - 6 V DC open/close 6 - 9 V DC open/close	
Pulse shape/-time		
Nominal power	0,7 - 1,4 W	1,0 - 2,3 W
Protection Type	IP 54	higher IP-classes on request
Insulation class	B	according to EN 60730
Protection class	III	according to EN 60730

Connection type	standard cable length
with leads and connector	100 mm
with leads	120 mm
connector	on request