

2/2 way direct acting solenoid valve NC DN 4 - media separated by PTFE bellows



A.u.K. Müller

Solenoid valves
Control valves
Special valves and systems

A.u.K. Müller GmbH & Co. KG
Dresdener Str. 162
D-40595 Düsseldorf/Germany

Tel.: +49(0)211-7391-0
Fax: +49(0)211-7391-281

e-mail: info@akmueller.de
<http://www.akmueller.de>

Series U90.60x - U93.60x



Characteristics

- special valve for dialysis machines and other medical appliances
- medium separated by PTFE bellow
- plunger guided by PTFE
- leak tightness in both flow directions
- for vacuum and pressure
- low noise during operation
- short open and close times
- high number of ON-OFF cycles
- low dead volume in valve body
- can be disinfected
- alternative hydraulic connections on request
- low power consumption
- NO-version on request
- plastics are KTW, FDA and NSF approved
- UL- and CSA certified
- high operating safety by the use of high quality materials and 100% final testing of the products

Applications

- dialysis equipment
- medical engineering
- disinfection equipment

Description

The U90.60x - U93.60x range of valves has been developed especially for use in dialysis machines and similar equipment to meet the stringent specifications for products supplied into the medical equipment applications.

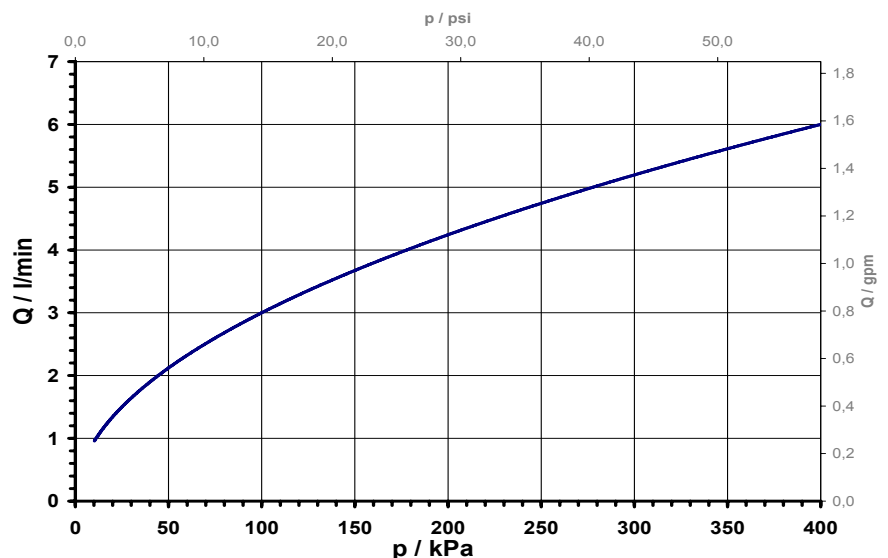
Used as an inlet or outlet valve at the balance chambers of dialysis machines, this valve assures a consistent flow in both directions across the whole pressure range, to guarantee a high degree of security.

High performance plastics assure a long product life even when using mediums like dialysis fluid or disinfection solutions.

The internal plunger assembly is separated from the medium by means of a special PTFE bellow to avoid the intrude of contaminants into the medium.

The valve chamber is designed to minimise dead areas where medium can collect and is available with several different hydraulic connection options on request.

typical performance curve

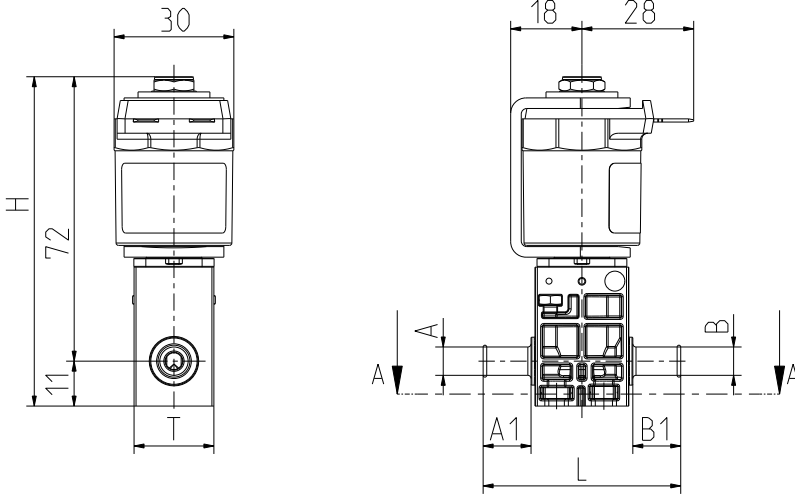


2/2 way direct acting solenoid valve NC DN 4 - media separated by PTFE bellows

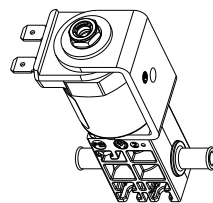
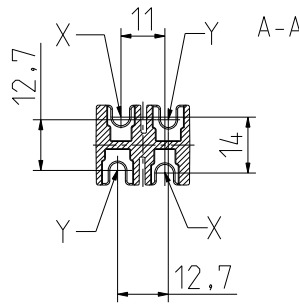


A.u.K. Müller

Series U90.60x - U93.60x



slot for nut
X = M4 DIN EN ISO 4032
Y = N 6-32 UNC ANSI B1.1



Materials

Valve body	PEI PPSU on request PEEK on request
Plunger guide	PTFE
Plunger and spring	stainless steel
Bellow	PTFE
Sealing	EPDM
Coil coating	PBT, PET or epoxy resin

Options

Material	Inlet Ø A	A1	Outlet Ø B	B1	Length L	Height H	Depth T
PEI	7,1 nozzle	13,0	7,1 nozzle	13,0	50,5	83,0	20,0
PEI	7,1 nozzle	13,5	7,1 nozzle	19,0	57,0	83,0	20,0
PEI	8 JG	19,0	8 JG	19,0	62,5	83,0	20,0

JG = John Guest connection

Other valve bodies please refer to the following page

Technical Data

Type	solenoid valve for dialysis machines	
Construction	2/2-way single chamber straight valve, direct acting	
Function	NC (normally closed) NO (normally open) on request	
Fitting position	any	
Media	dialysis fluid or disinfection solutions	
T-Medium	90	°C max.
T-Ambient	70 (60	°C max. °C max. and coils MS.024, MS.025)
DN	4,0	mm
p-Operating	10 - 400	kPa both flow directions
Cv-value	3,0	l/min
Coil type	MS.006, MS.024, MS.025	
Nominal voltages	24	V DC
	other voltages on request	
Voltage tolerance	+10% -15%	
Duty cycle	100%	
Nominal power	9,5 W	
Protection Type	IP 00 up to IP 65 according to EN 60529	
Coil connections	flat tabs 6,3 x 0,8 mm plug socket according to EN 175301-803 (IP65), several cable connections (IP65)	
Insulation class	F	according to EN 60730
Protection class	III	according to EN 60730 (for incorporation in class I)

90.60x	MS.024 (IP65)	
92.60x	MS.006 (IP00)	
93.60x	MS.025 (IP65)	

**2/2 way direct acting solenoid valve NC
DN 4 - media separated by PTFE bellows**

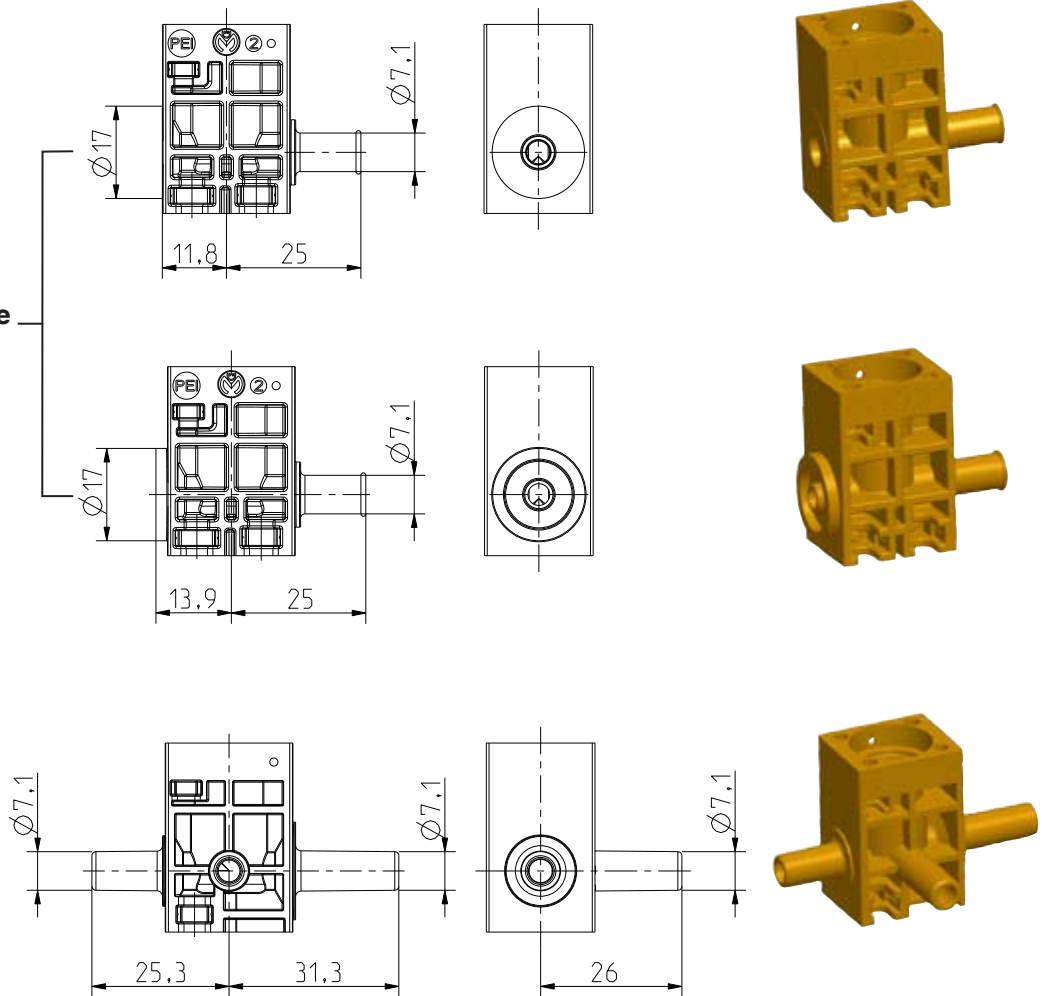


A.u.K. Müller

Series U90.60x - U93.60x

other standard types of valve bodies

**on request:
valve bodies with flange
connection**



**on request:
valve body with three
connections**

**on request:
additional types of valve bodies according to customer requirements**

