

## 2/2-way drain valve NO, DN 50 IP 65, IP 68

series 04.050.916



IP 68

IP 65

### Description

2/2-way direct acting dump valve of nominal diameter DN 50 for controlling low aggressive media, such as cleaning or disinfection agents, with normally open operation mode (NO).

Valves of this type are medium separated having a single chamber valve body with the inlet at ninety degrees to the outlet. They can be manufactured in various materials and equipped with hose connections.

Electrical operating safety is achieved by insulation class F and supported by an integrated protective circuit.

Protection type IP 68 is achieved in conjunction with cable connection (length > 1m), IP 65 by using a mounted connector.

The solenoid valve with valve body made of PPE, is suitable for water of higher temperature and chemically resistant. The smooth internal shape improves liquid flow and avoids dirt traps.

By using high quality insulation materials, continuous duty (up to 100% ED) at higher medium temperatures is possible.

### Applications

- industrial washing machines and dishwashers
- cleaning devices for medical equipment
- cleaning and disinfection systems in the dairy industry and process engineering



## A.u.K. Müller

Solenoid valves  
Control valves  
Special valves and systems

A.u.K. Müller GmbH & Co. KG  
Dresdener Str. 162  
D-40595 Düsseldorf/Germany

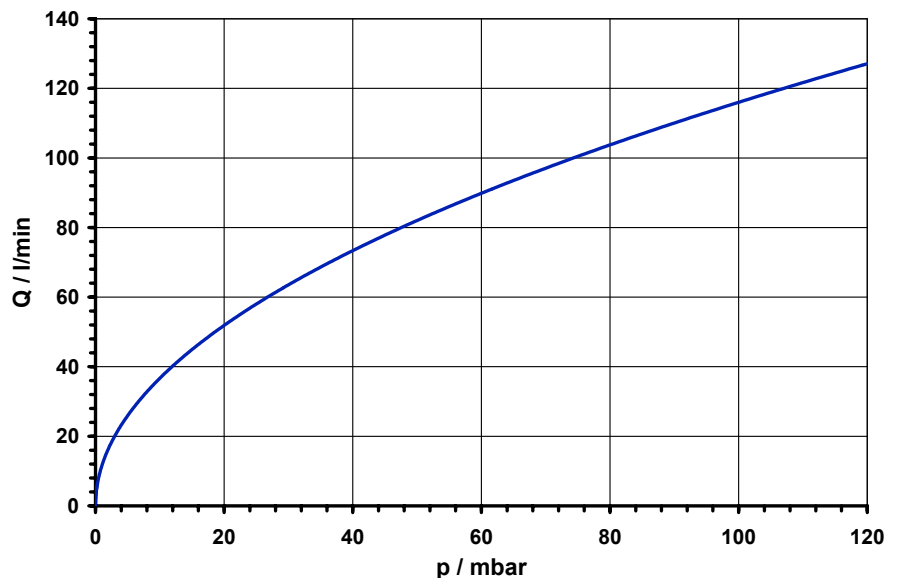
Tel.: +49 211 7391-0  
Fax: +49 211 7391-281

e-mail: [info@akmueller.de](mailto:info@akmueller.de)  
Internet: [www.akmueller.de](http://www.akmueller.de)

### Characteristics

- direct acting
- protection type IP 68 using cable (length > 1m), respectively IP 65 using connector
- normally open (NO)
- encapsulated coil
- coil system protected against corrosion by separation to medium by membrane
- long term performance capability
- max. medium temperature 98 °C
- no minimum pressure required
- suitable for spray- and jet water
- high operating safety through the use of high quality materials and 100% final testing of the products

typical performance curve



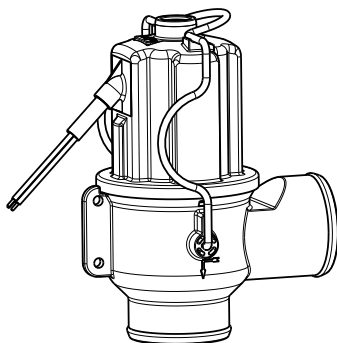
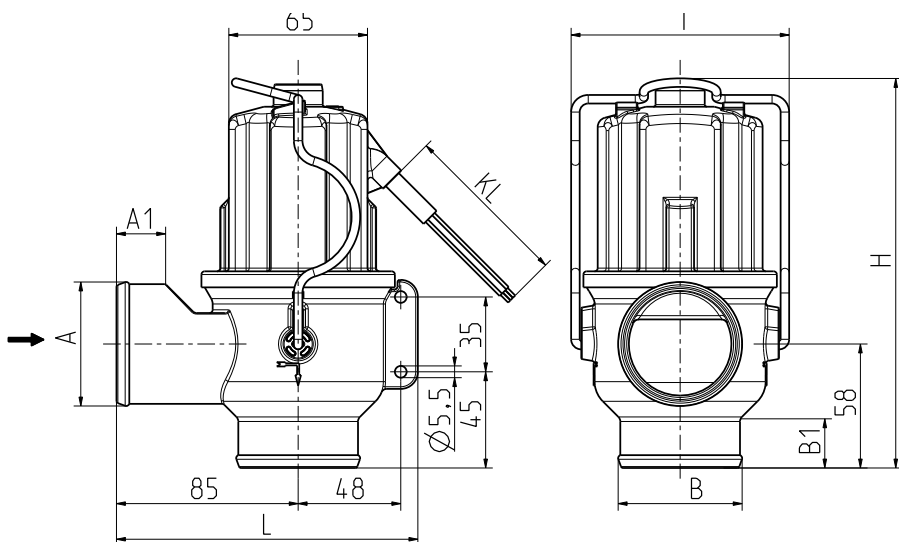
# Product Information

2/2-way drain valve NO, DN 40  
IP 65, IP 68



A.u.K. Müller

series 04.050.916



### Materials

Valve body	PPE
Plunger guide	stainless steel
Plunger	stainless steel
Membrane and sealings	EPDM NBR (on request) CSM (on request) FKM (on request)
Coil	PBT PU encapsulated

### Technical Data

Type	dump valve		
Construction	2/2-way-solenoid valve, direct controlled		
Function	NO (normally open)		
Fitting position	solenoid preferably upward, horizontal possible, never downwards		
Media	low aggressive media, such as cleaning or disinfection agents within potable water		
T-Medium	98	°C max.	
T-Ambient	60	°C max.	
DN	50	mm	
p-Operating	0 - 120 mbar		
coil type	MS.010 integrated protection circuit (high voltage peak limitation) and rectifier		
Nominal voltage	24	V DC	
	24	V AC/DC	(24VAC/DC for cable
	110	V AC/DC	version on
	200-240	V AC/DC	request)
	400	V AC/DC	
Voltage tolerance	±10%		
duty cycle	100 % 50 % of 10 min. at 400 V AC/DC		
Nominal power	24	W	
Protection Type	IP 68	with cable (>1m) according to EN 60529	
	IP 65	with plug socket according to EN 175301-803	
Insulation class	F	according to EN 60730	
Protection class	I	according to EN 60730 (for incorporation in class I)	

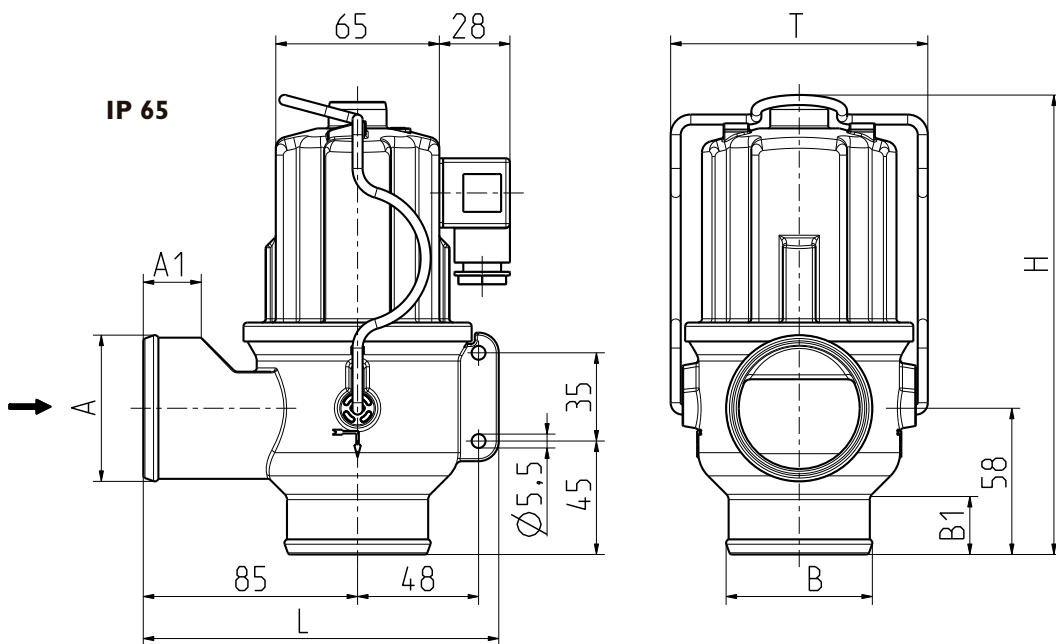
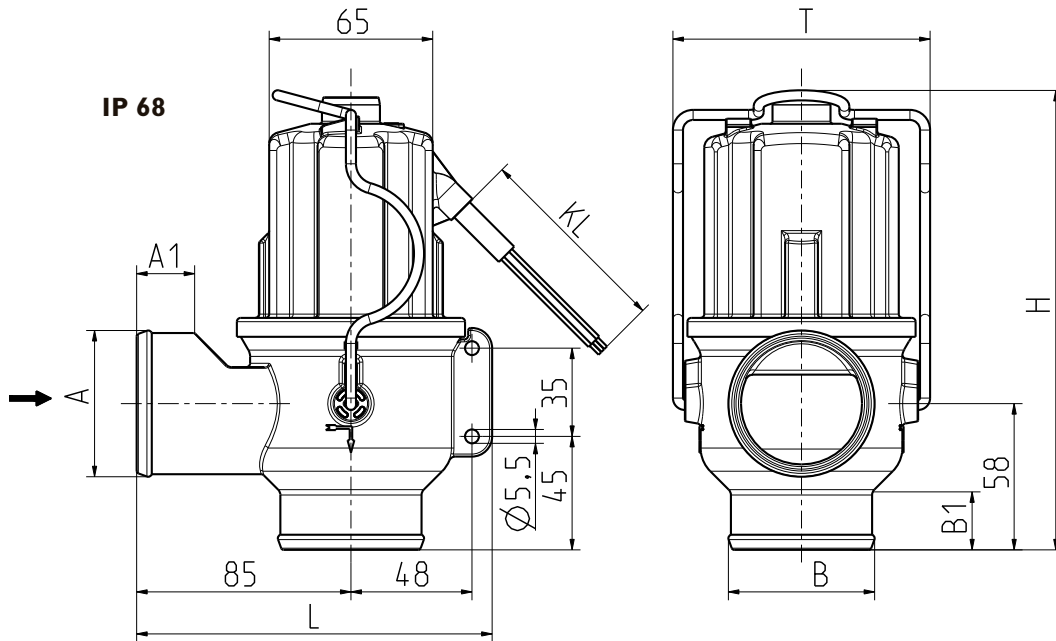
### Options

Material	Ø A	A1	Ø B	B1	L	H	T
PPE	nozzle 2"	23	nozzle 2"	23	141	185	103
all valve bodys on request : PVDF							

standard cable length (IP 68 only)	KL
	1000 mm
other cable length on request	



series 04.050.916





**A.u.K. Müller**