

2/2 way direct acting solenoid valve NC



A.u.K. Müller

Solenoid valves
Control valves
Special valves and systems

A.u.K. Müller GmbH & Co. KG
Dresdener Str. 162
D-40595 Düsseldorf/Germany

Tel.: +49(0)211-7391-0
Fax: +49(0)211-7391-281

e-mail: info@akmueller.de
Internet: www.akmueller.de

Series 18.005



Characteristics

- direct acting
- compact design
- long term performance capability
- suitable for food and hot water appliances
- works from zero pressure
- easy to assemble and service
- coil change without opening of medium circuit, coil can be mounted 4 x 90°
- high operating safety through the use of high quality and 100% final testing of the product

Applications

- hot / cold drink dispensers (espresso makers)
- medical equipment
- industrial applications
- steam applications (ironing machines)

Description

2/2-way solenoid valve of several nominal diameters for use with neutral gases and liquids. This valve is direct acting and normally closed (NC).

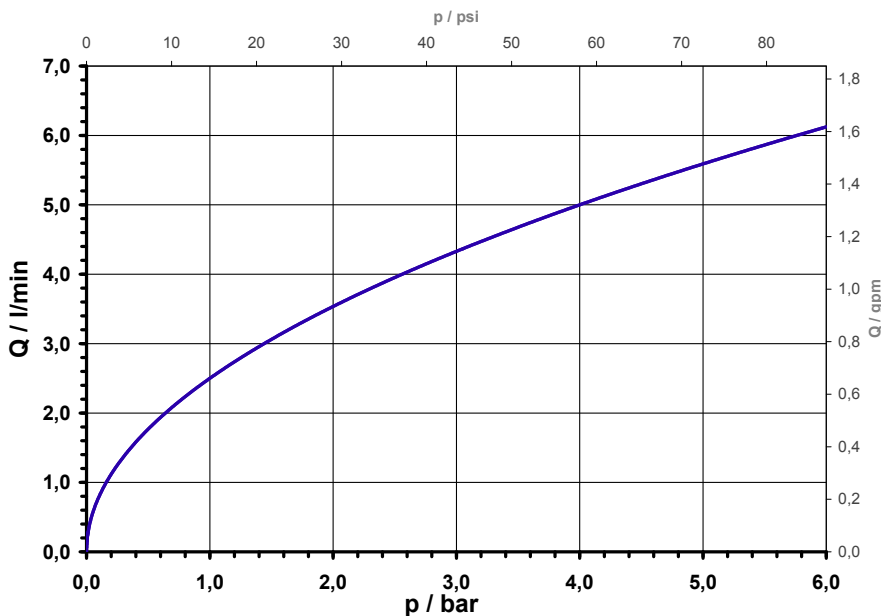
Valves of this design are single chamber straight through valves, with threaded tube clamp or push-fit connections at outlet and inlet.

The valve body is made of PPSU, which is suitable for hot water applications.

This valve is designed for continuous operation (duty cycle 100%).

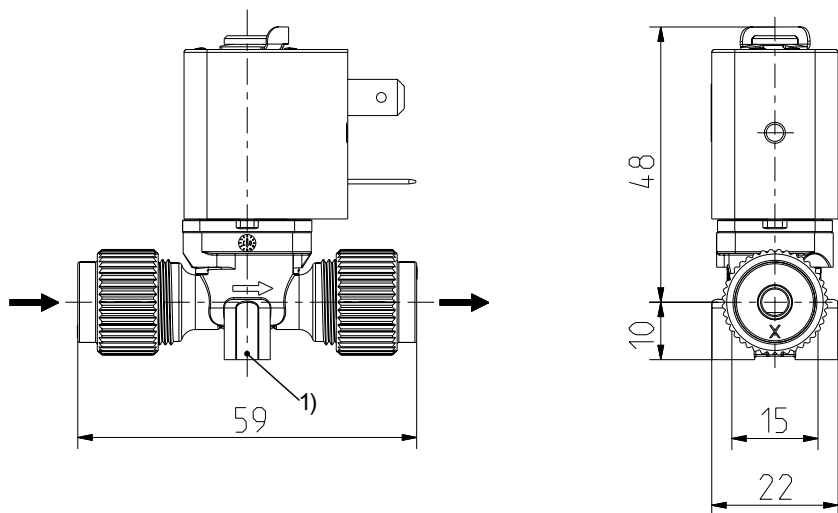
Electrical operating safety is achieved by using high quality materials of insulation class F.

typical performance curve





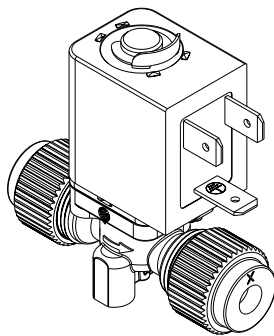
Series I8.005



1) Fixing possibility for self tapping screw $\varnothing 3,8 \times 9$

Materials

Valve body	PPSU
Plunger guide	stainless steel
Plunger	stainless steel
Seal	EPDM
Coil coating	PA, EP or PPS



Technical Data

Type	solenoid valve	
Construction	2/2-way single chamber straight valve, direct acting	
Function	NC (normally closed)	
Fitting position	any	
Media	neutral gases, cold and heated potable water and physically and chemically similar media	
T-Medium	98	°C max.
T-Ambient	60	°C max.

DN	Cv-value	p-Operating
mm	l/min	bar
2,5	2,5	0 - 6,0

Coil type	MS.037	
Nominal voltage	24	V DC
	other voltages on request	
Voltage tolerance	+10% -15%	
Duty cycle	100%	
Nominal power	8,3 W	
Protection Type	IP 65	
Coil connections	plug socket according to EN 175301	
Insulation class	F	according to EN 60730
Protection class	I	according to EN 60730 (for incorporation in class I)

Options

Threaded tube clamp connection inlet / outlet

Tube material	dimension	
	outer \varnothing x wall thickness	
Flexible plastic tubes	6 x 1	
Metall tubes	6 x 1	to be equipped with special cut-in by user

Other orifice sizes (DN) are in preparation

