

# Product Information

## Float valve, DN 17, float ball



## A.u.K. Müller

Solenoid valves  
Control valves  
Special valves and systems

A.u.K. Müller GmbH & Co. KG  
Dresdener Str. 162  
D-40595 Düsseldorf/Germany

Tel.: +49(0)211-7391-0  
Fax: +49(0)211-7391-281

e-mail: [info@akmueller.de](mailto:info@akmueller.de)  
<http://www.akmueller.de>

### Series 21.017.126



### Characteristics

- proportional behaviour (flow depends on position of float lever)
- servo-controlled
- operation largely independent from inlet pressure
- easy to assemble and service
- compact design
- suitable for heated water up to 90 °C
- floaters adjustable
- different lever dimensions available (on request)
- high operating safety by the use of high quality materials and 100% final testing of the products

### Applications

- tank filling
- high pressure cleaning devices (system separation according to EN 1717)
- washing systems
- irrigation systems
- industrial appliances

### Description

Servo-controlled valve nominal diameter DN 17, which closes by means of buoyancy of a floater to control level in tanks.

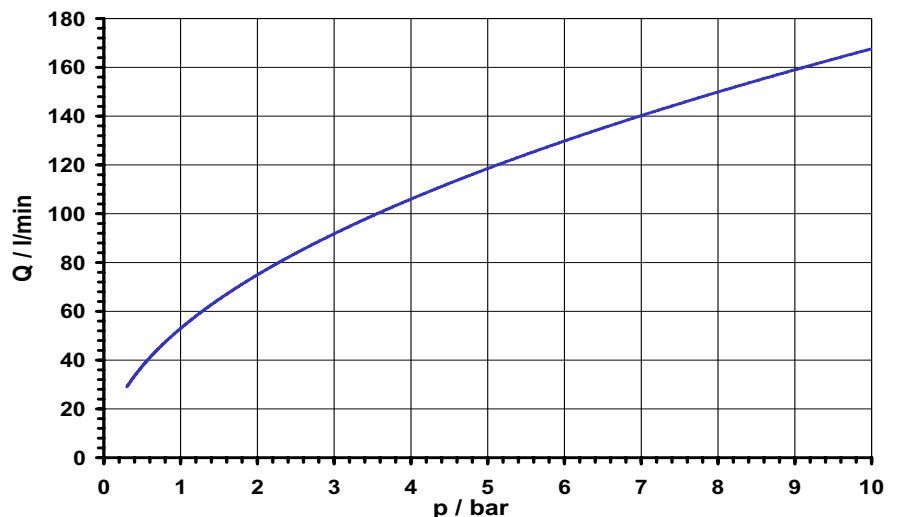
If liquid is drained from the tank, the float valve refills automatically and closes when the maximum level has been reached.

While water level and floater rises, the flow into the tank is throttled proportional to the levers position.

An overflow of small tanks will be prevented during the initial filling.

Valves of this design are single chamber straight valves with a glass fibre reinforced polyamid elbow nozzle as outlet.

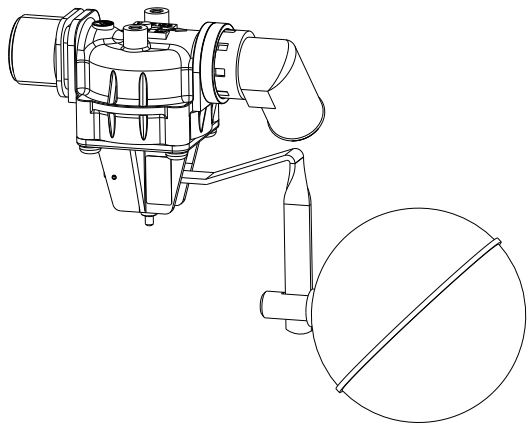
typical performance curve





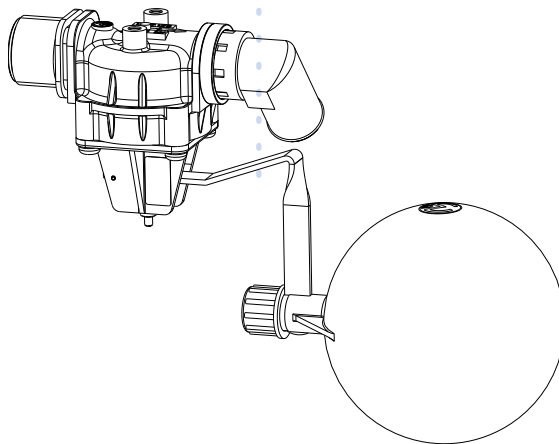
Series 21.017.126

Technical Data



Float ball: stainless steel Tm: 90°C

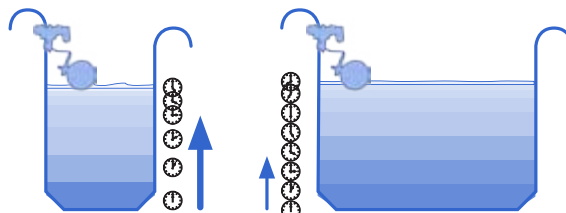
<b>Type</b>	float valve	
<b>Construction</b>	2/2-way single chamber straight valve, elbow nozzle as outlet, servo-controlled	
<b>Function</b>	closed by buoyancy of floater	
<b>Fitting position</b>	floater pointing downwards	
<b>Media</b>	cold and heated potable water and physically and chemically similar media	
<b>T-Medium</b>	90	°C max. stainless steel
	60	°C max. PPH
<b>T-Ambient</b>	as per T-Medium	
<b>DN</b>	17	mm
<b>p-Operating</b>	0,3 - 10,0 bar	
<b>Cv-value</b>	53	l/min
<b>Flow regulator</b>	on request	
<b>Float ball</b>	position adjustable	



Float ball: PPH Tm: 60°C

Materials

<b>Valve body</b>	PA 66 glass fibre reinforced
<b>Elbow nozzle</b>	PA 66 glass fibre reinforced
<b>Metal parts in medium</b>	stainless steel
<b>Membrane and sealings</b>	EPDM
<b>Float ball</b>	stainless steel (1.4301) PPH (on request)
<b>Float lever</b>	brass CW508L 10x2
<b>Filter (at inlet)</b>	stainless steel



Elbow nozzle

remove elbow nozzle

shift ring

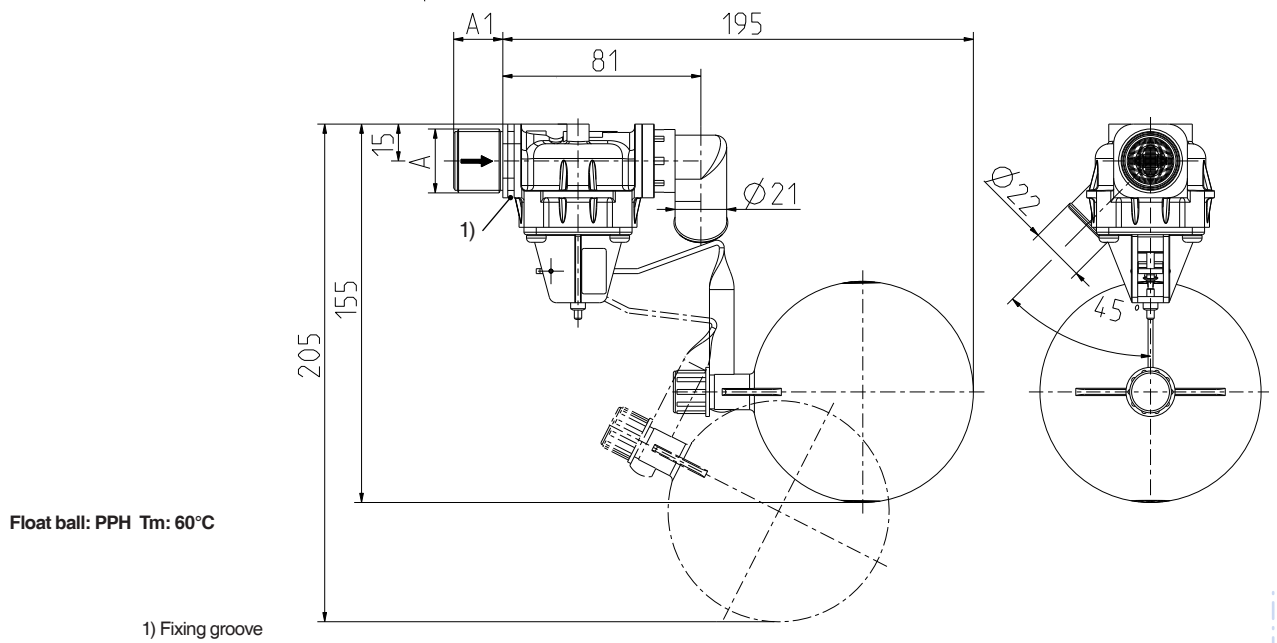
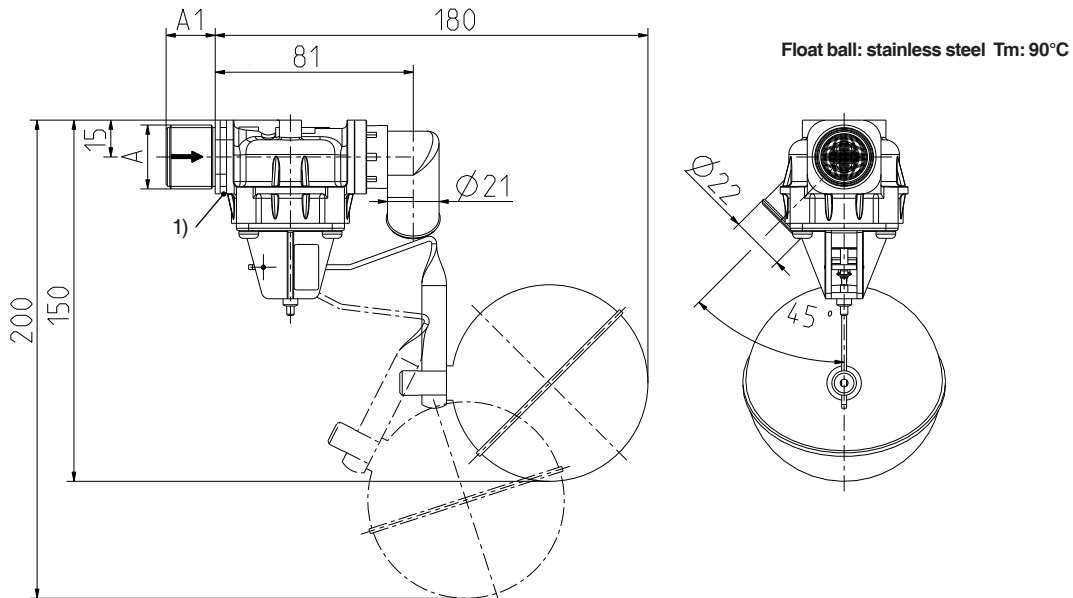
draw nozzle



rise speed of water level



### Series 21.017.126



### Options

Material	Inlet	
	Ø A	A1
PA 66	G 3/4	20,0



**A.u.K. Müller**