



Series 44.007.126



Characteristics

- servo-controlled
- normally closed (NC)
- solenoid replaceable while medium circuit remains untouched, solenoid rotatable 4x90°
- suitable for hot water up to 90 °C
- similar hydraulic performance for alternating or direct current
- long term performance capability
- optimized water hammer characteristic by low noise emission according to EN 60730
- high operating safety by the use of high quality materials and 100% final testing of the products

Applications

- steam appliances
- dental appliances
- hot / cold drink dispensers
- industrial appliances
- air conditioning
- agricultural implements
- pollution equipment
- temperature equalisers
- dish washers
- ice machines
- washing machines
- water treatment

Description

2/2-way solenoid valve of nominal diameter DN 7, with integrated dirt strainer, for use with cold and heated potable water and physically and chemically similar media. The valve is servo-controlled and normally closed (NC).

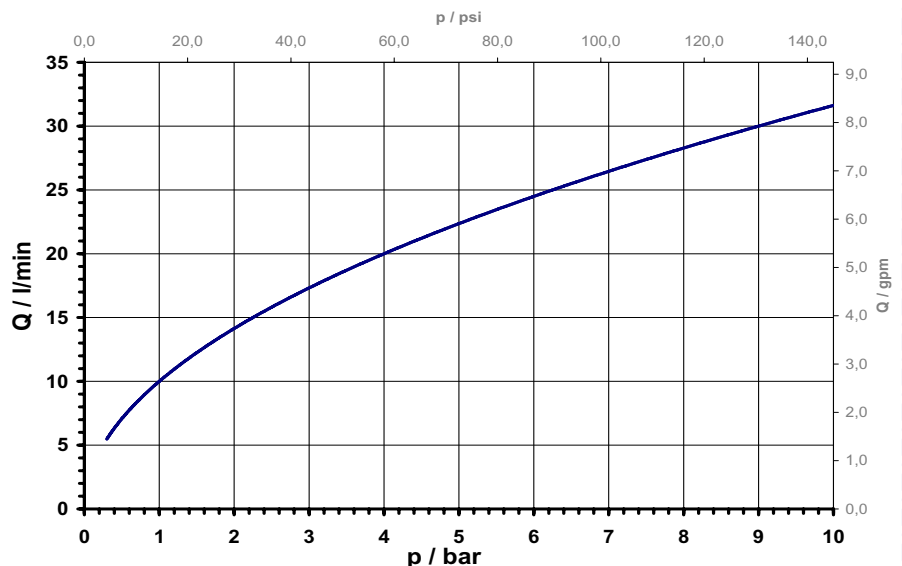
Valves of this design are single chamber straight valves and can be manufactured with various connections.

Coil systems for common voltage and frequency ranges are available.

Electrical operating safety is achieved by insulation class F and can be supported by an integrated protective circuit.

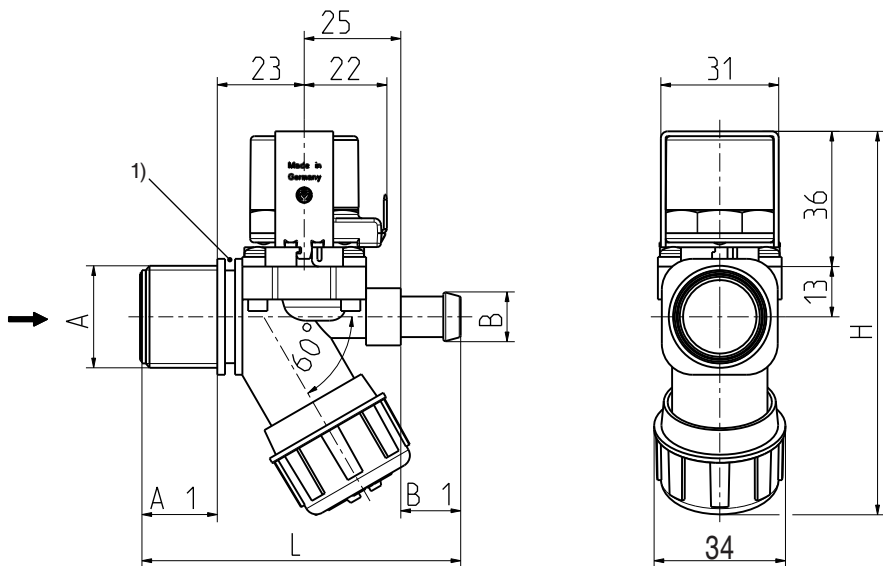
By using high quality insulation materials, continuous duty (100 % ED) at higher medium temperatures is possible. The glass fibre reinforced polyamide valve body persists hot water. Protection against corrosion of inner parts exposed to the medium is achieved by using stainless steel.

typical performance curve





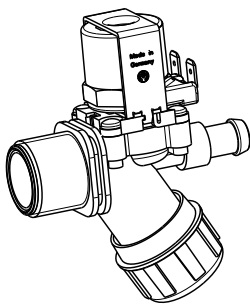
Series 44.007.126



1) Fixing g groove

Materials

Valve body	PA 66 glass fibre reinforced PPE on request PEI on request
Plunger guide	stainless steel
Plunger and spring	stainless steel
Membrane and sealings	EPDM NBR on request VMQ on request
Coil coating	PBT,PET or epoxy resin
Filter	POM (in inlet) stainless steel on request



Technical Data

Type	solenoid valve with integrated dirt strainer	
Construction	2/2-way single chamber straight valve, servo-controlled	
Function	NC (normally closed)	
Fitting position	any, preferably with coil upwardly	
Media	cold and heated potable water and physically and chemically similar media	
T-Medium	90	°C max.
T-Ambient	70 (60	°C max. °C max. USA and coils MS.028)
DN	7	mm
p-Operating	0,3 - 10 (0,2 - 6	bar bar VMQ-membrane)
Cv-value	10	l/min
Flow regulator	on request	
Pressure surge	according to EN 60730	
Coil type	MS.026, MS.028	
Nominal voltages	220 - 240 110 110 - 127 24 12 24 12	V AC 50-60 Hz V AC 50 Hz V AC 60 Hz V AC 50/60 Hz V AC 50/60 Hz V DC V DC
	other voltages on request	
Voltage tolerance	+10% -15%	
Duty cycle	100%	
Nominal power	6,5 W	7,5 VA (AC only)
Protection Type	IP 00 up to IP 68	
Coil connections	flat tabs 6,3 x 0,8 mm several cable connections (IP67, IP68)	
Insulation class	F	according to EN 60730
Protection class	I	according to EN 60730 (for incorporation in class I)
Mesh size	0,16	mm ID: 005524

Options

Material	Inlet		Outlet		Length L	Height H
	Ø A	A1	Ø B	B1		
PA 66	G 3/4	20,0	G 3/4	20,0	92,0	100,0
PA 66	G 1/2	15,0	G 1/2	17,0	83,0	100,0
PA 66	G 3/4	20,0	12,0 nozzle	15,5	83,0	100,0
PA 66	G 3/4	20,0	14,5 nozzle	17,0	84,5	100,0
PA 66	G 3/8	13,0	G 3/8	12,2	73,5	100,0

