

Flange Product Information



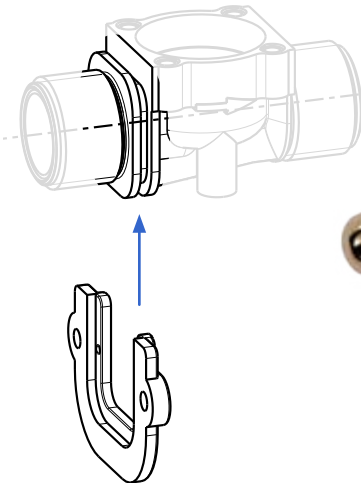
A.u.K. Müller

Solenoid valves
Control valves
Special valves and systems

A.u.K. Müller GmbH & Co. KG
Dresdener Str. 162
D-40595 Düsseldorf/Germany

Tel.: +49 211 7391-0
Fax: +49 211 7391-281

e-mail: info@akmueller.de
Internet: www.akmueller.de



ID: 001246



ID: 001245

Characteristics

- easy to fit to valve
- provides secure mounting within cabinet
- mountable to fixing bracket

Applications

- solenoid valves with fixing groove
- float valves with fixing groove
- dirt strainers with fixing groove

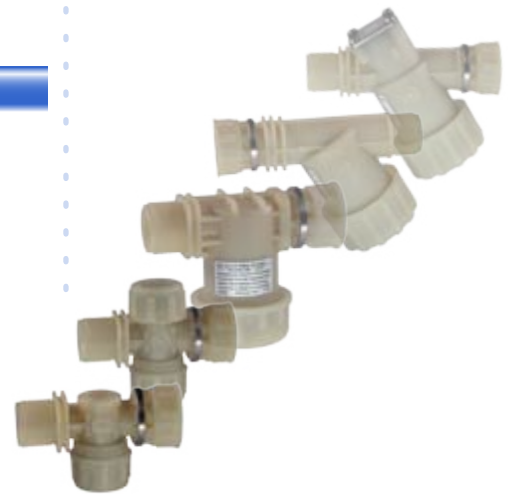
Description

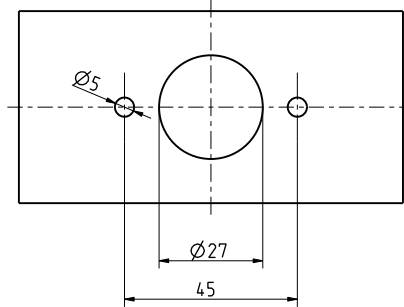
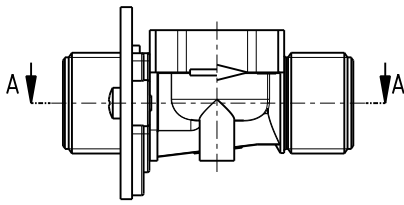
The flange offers additional mounting support for most A.u.K. Müller solenoid-, float valves and dirt strainers.

The flange is available in two versions, which differ in the thickness and material of the pressed in nuts.

The version with ident code 001245 has galvanized nuts and is designed for use with solenoid valves which are not exposed to splash water. It can be situated into the valves fixing groove in four possible different orientations.

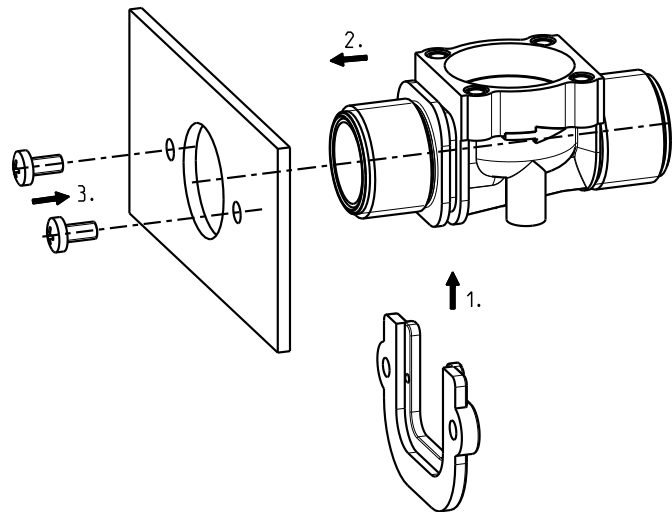
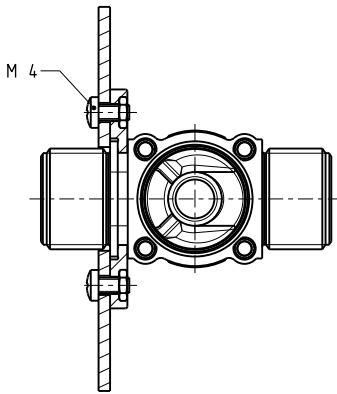
The version with ident code 001246 is designed for use with float valves which are exposed to splash water and has stainless steel nuts to avoid corrosion. This flange is generally attached in the 'standard' position (see above diagram) in the float valves fixing groove.





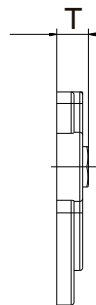
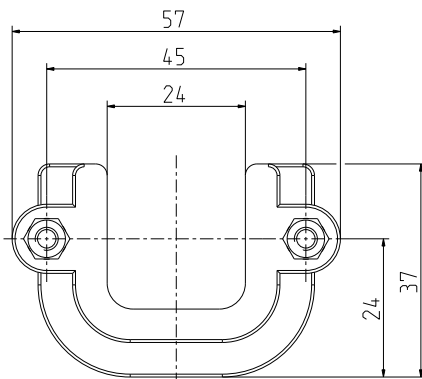
Example of assembly

A-A

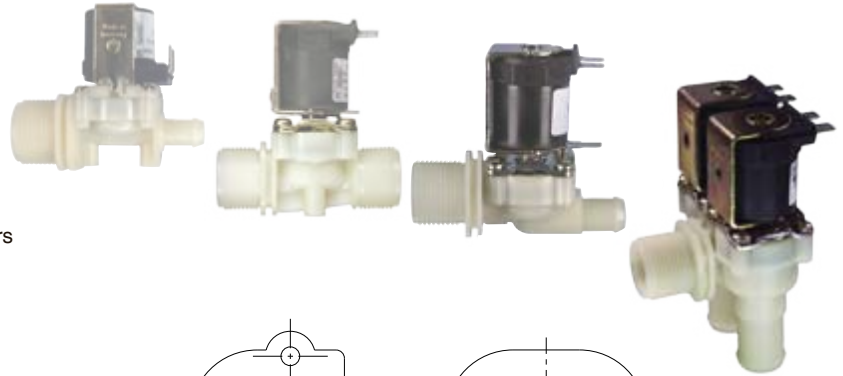


Materials

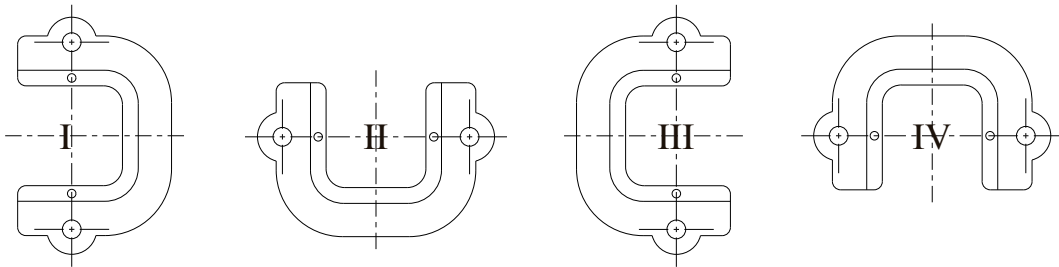
Flange	PA 66 glass fibre reinforced
Nuts	M4 electrogalvanised according to DIN EN 24035 B
ID: 001245	
ID: 001246	M4 stainless steel according to DIN EN ISO 4032



ID	Depth
	T
001245	4,6
001246	5,5



ID. 001245
Positions of flange on solenoid valves and dirt strainers



ID. 001246
Position of flange on float valves

