

# Product Information

## Dispense valve



## A.u.K. Müller

Solenoid valves  
Control valves  
Special valves and systems

A.u.K. Müller GmbH & Co. KG  
Dresdener Str. 162  
D-40595 Düsseldorf/Germany

Tel.: +49 211 7391-0  
Fax: +49 211 7391-281

e-mail: [info@akmueller.de](mailto:info@akmueller.de)  
Internet: [www.akmueller.de](http://www.akmueller.de)

### Series 06.003.234



### Characteristics

- compact design
- easy to assemble and service
- each inlet has a manual adjuster to regulate flow and bubble size
- high quality materials ensure no taste or taint of the medium
- prevention against beverage contamination caused by undesirable build of oxidation

### Applications

Beverage dispensers for

- soda water (premixed with CO<sub>2</sub>)
- aerated water O<sub>2</sub> (premixed with O<sub>2</sub>)
- fruit juice of low viscosity (premixed with CO<sub>2</sub>)

### Description

Dispensers of sparkling, still or aerated water are becoming more common in hospitals, old people's homes and other public places.

This solenoid valve is specially designed to meet the requirements of such dispensers. Available with two separate inlets, where flow can be individually adjusted, enabling the dispense of two different drinks.

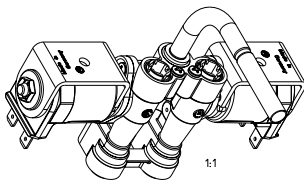
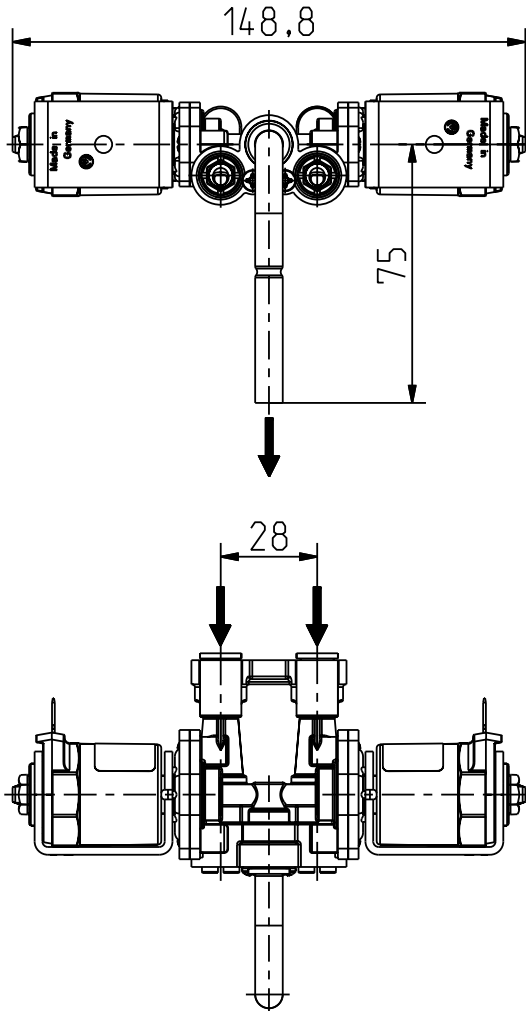
The inlets are JohnGuest cartridges.

The use of high quality materials for all parts in contact with the medium ensure there are no taste or taint problems.





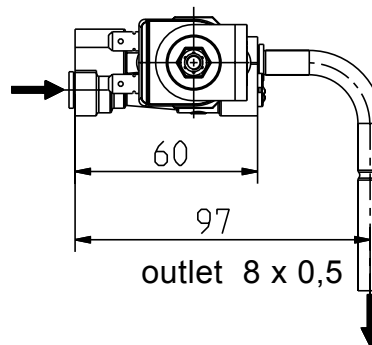
**Series 06.003.234**



**Technical Data**

<b>Type</b>	solenoid dispense valve	
<b>Construction</b>	modular valve, direct acting	
<b>Function</b>	NC (normally closed)	
<b>Fitting position</b>	any	
<b>Media</b>	water, soda-water and juice (low viscosity)	
<b>T-Medium</b>	30	°C max.
<b>T-Ambient</b>	60	°C max.
<b>DN</b>	3	mm
<b>p-Operating</b>	0 - 7	bar
<b>Cv-value</b>	5	l/min max.
<b>Flow regulator</b>	manually adjustable	
<b>Coil type</b>	MS.006	
<b>Nominal voltages</b>	24	V AC 50 Hz
	24	V AC 60 Hz
	other voltages on request	
<b>Voltage tolerance</b>	+10% -15%	
<b>Duty cycle</b>	100%	
<b>Nominal power</b>	8,5 W	13 VA (AC only)
<b>Protection Type</b>	IP 00	
<b>Coil connections</b>	flat tabs 6,3 x 0,8 mm	
<b>Insulation class</b>	F	according to EN 60730
<b>Protection class</b>	I	according to EN 60730 (for incorporation in class I)

retaining bore holes for self tapping screws Ø 5,2 / depth 15



JohnGuest connection for pipe O.D. 8

**Materials**

<b>Valve body</b>	PSU
<b>Plunger guide</b>	stainless steel
<b>Plunger and spring</b>	stainless steel
<b>Short circuit ring</b>	silver
<b>Outlet pipe</b>	stainless steel
<b>Membrane and sealings</b>	EPDM
<b>Coil coating</b>	PBT,PET or epoxy resin

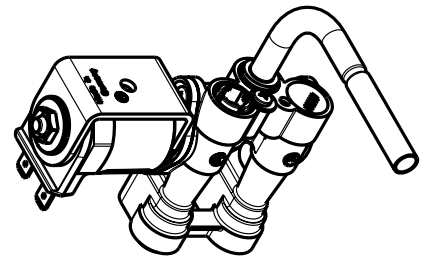
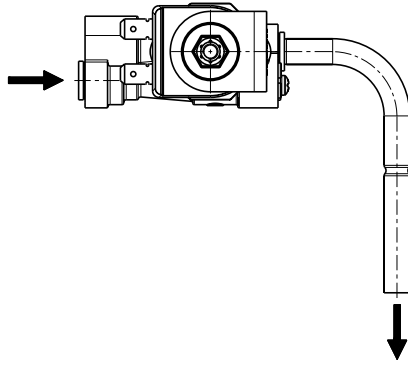
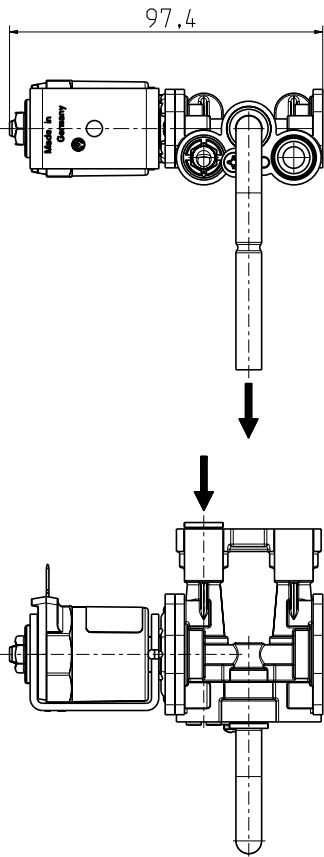
# Product Information

Dispense valve



A.u.K. Müller

## Series 06.003.114



More options with only one valve equipped, either left or right.

## Series 06.003.124

