

Product Information

Pinch valve, 2/2-way, NO



A.u.K. Müller

Solenoid valves
Control valves
Special valves and systems

A.u.K. Müller GmbH & Co. KG
Dresdener Str. 162
D-40595 Düsseldorf/Germany

Tel.: +49 211 7391-0
Fax: +49 211 7391-281

e-mail: info@akmueller.de
Internet: www.akmueller.de

Series 16.003.225



Characteristics

- medium completely separated from valve parts
- chemical resistance depends on the material of the tube selected
- tube can easily be changed
- no dead areas
- flow in either direction
- coil can be fixed in any position through 360°
- minimum 1 million cycles (dry, without medium)

Applications

- dosage systems
- analysis systems
- medical equipment
- vending machines

Description

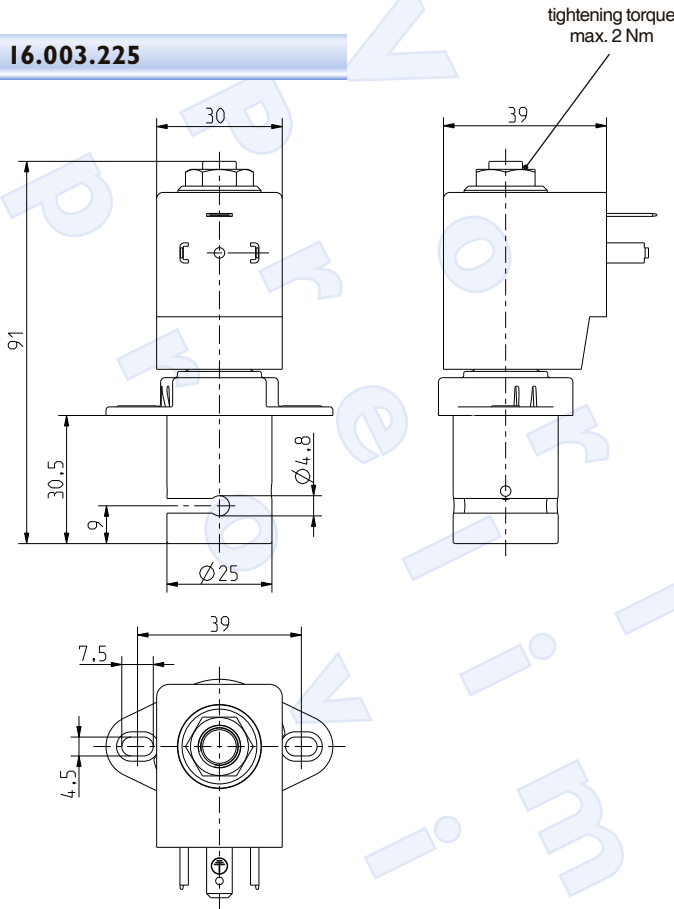
Pinch valves of series 16.003.225 in operation mode normally open are designed for flexible tubes up to an outer diameter of 5,2 mm and a shore hardness of 50 - 60.

The flow of the medium is controlled by pinching the inserted tube. This design avoids using the traditional valve seat and membrane which can cause turbulence in the fluid flow and create dead areas in the valve housing where medium or dirt can collect. The valve is particularly suitable for applications where a high level of hygiene is required.

The resistance against chemicals depends on the selected material of the tube.



Series I6.003.225

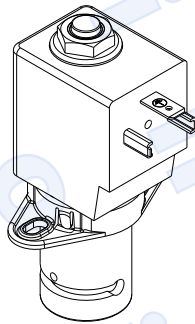


Technical Data

GlcX	pinch valve	
6bafgehVgba	2/2-way valve, direct acting	
9haVgba	NC (normally open)	
9vglaZ'cbf'g'ba	any	
@XWT	depends on tube	
Gz@XWh`	90 (194	°C max. °F max.)
Gz4`UXag	-10 – +60 (14 – 140	°C °F)
cZBcXeTglaZ	0 - 1 bar (0 - 14,5 psi) (depending on tube)	
6b\`g'lcX	MS.037	
Ab`laT`ib.gTZxf	24	V DC
	other voltages on request	
Ib.gTZ'gb.XeTaVX	±10%	
7hgI`VIV_X	100%	
CebgXVg'ba'GlcX	IP 65	
6b\`VbaaXVg'ba'f	plug socket according to EN 175301-803 (IP65),	
a'fh.Tg'ba'V.T'f'f	F	according to EN 60730

Materials

IT_iXUbwI	aluminium (surface refined)
9KlaZ`Y.TaZX	PA 66, glass fibre reinforced
C.haZ'eZhWX	aluminium, PTFE
C.haZ'eTaW'f'c'laZ	stainless steel
6b\`VbTglaZ	PA 6, glass fibre reinforced



Options

d7rÁ	B17rÁ	JT` G[W^aXff	F[beXz ;TeWaXff	6.T`claZz 9beVX`A	Ab`laT`cbjXe` Vbafh`cg'ba`J
3,0	5,0	1,0	60°±5°		11,0

ETaZX`b'Y'cbf'f'U_X'bhgXe`WT` XgXe`fiB!7!Áff'b'Y'ghUX`~'z#`z` (Z%`~`
G[X`jT`g[W^aXff'f'[bh_W'abg'WX'i\TgX`Yeb`~`g[X`baXf'WXe\iXW`la`g[X`hccXe`gTU_X!
G[X`iT_iX`~`Tl`ba_l`UX`bcXeTgXW`j'g[\`afXegXW'ghUX!

