

Strainer, DN 17

Product Information



A.u.K. Müller

Solenoid valves
Control valves
Special valves and systems

A.u.K. Müller GmbH & Co. KG
Dresdener Str. 162
D-40595 Düsseldorf/Germany

Tel.: +49 211 7391-0
Fax: +49 211 7391-281

e-mail: info@akmueller.de
Internet: www.akmueller.de

Series 12.017.400 /~.500

12.017.500



12.017.400



Characteristics

- replaceable filter elements, easy to clean
- easy to assemble
- high flow rate
- medium temperature up to 90 °C
- operating pressure up to 10 bar
- various connections available

Applications

- for protection of ...
- sanitary fittings
 - solenoid valves
 - flow meters
 - check valves
 - instantaneous water heaters

Description

The upstream mounted strainer will protect taps and other equipment against damages or malfunctions caused by suspended particles.

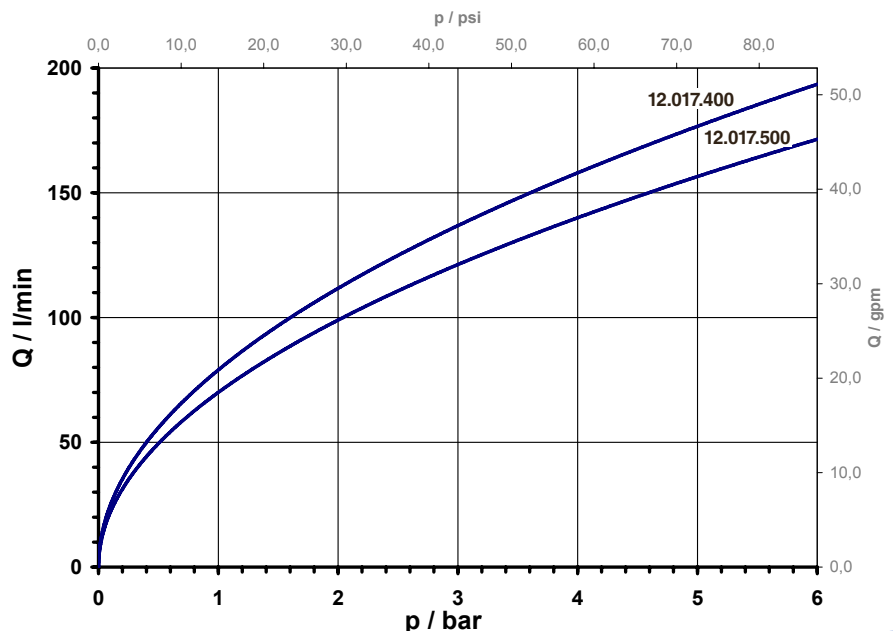
There is no need to disassemble the strainer nor tool to replace the filter insert. It is recommended to mount the strainer with the filter insert pointing downwards, to avoid that collected dirt remains in the housing, during replacement of the insert.

Type 12.017.500 integrates a shut off flow capability. The strainer is forcibly closed.

Type 12.017.400 is intended to be used for applications, in which valves, ball valves or others are already installed for use as shut off devices during replacement of insert.

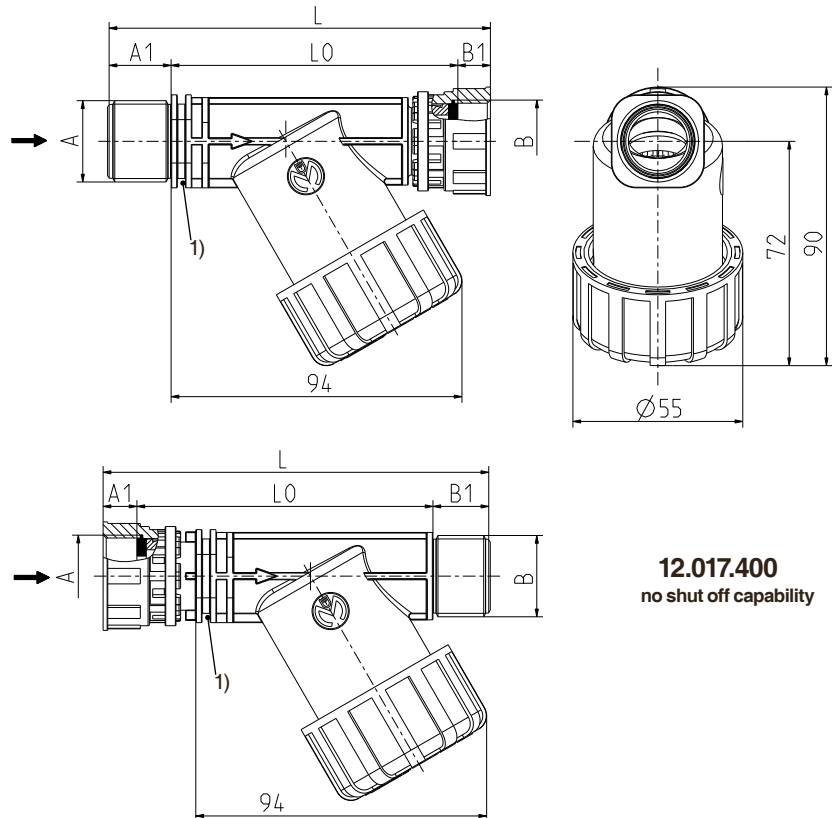


typical performance curve



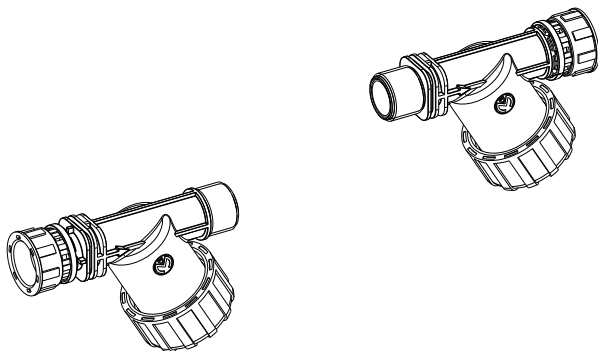


Series 12.017.400 / ~.500



12.017.400
no shut off capability

1) Fixing groove



Technical Data


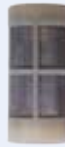

Type	strainer	
Construction	mechanical filter	
Fitting position	preferably filter element pointing downwards	
Media	cold and heated potable water and physically and chemically similar media	
T-Medium	90	°C max.
DN	17	mm
p-Operating	10	bar max.
Admissible pressure loss	6	bar max.
Cv-value	79	l/min
12.017.400	70	l/min
12.017.500		

Housing / inner parts	PA 66 stainless steel
Seals	EPDM
Filter	PA 66 stainless steel
Mesh size / wire diameter	0,08 mm / Ø 0,06 mm 0,11 mm / Ø 0,06 mm 0,25 mm / Ø 0,10 mm

Options

Material	Inlet		Outlet		Length		
	Ø A	A1	Ø B	B1	L0	L	
PA 66	G 3/4	20,0	G 3/4 female gland nut	10,5	92,5	123,0	
PA 66	G 3/4 female gland nut	11,0	G 3/4	18,0	95,5	124,5	
PA 66	G 3/4	20,0	G 3/4	18,0	76,5	114,5	on request
PA 66	G 3/4 female gland nut	11,0	G 3/4 female gland nut	10,5	111,5	133,0	on request

filter inserts

Mesh size / wire diameter Part number	0,08 mm / 0,06 mm ID: 006079	
	0,11 mm / 0,06 mm ID: 006506	
	0,25 mm / 0,10 mm ID: 005945	

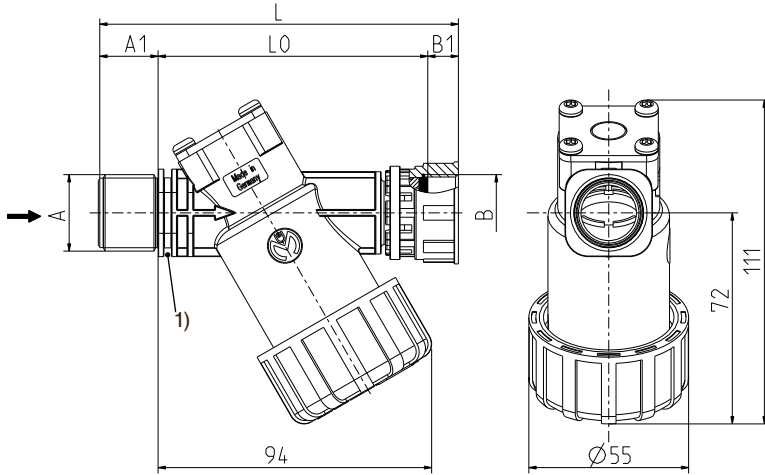
Strainer, DN 17

Product Information

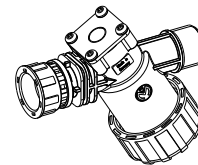
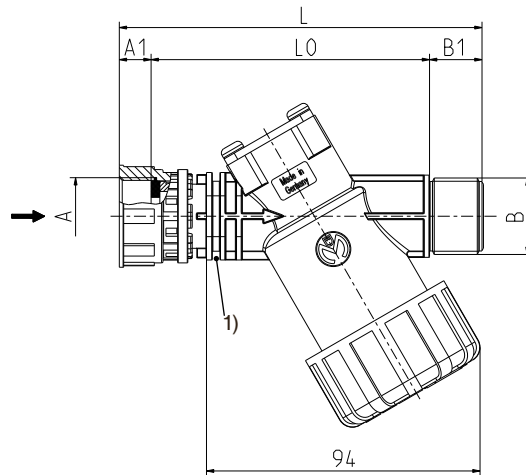
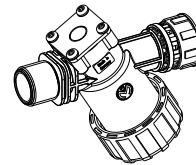


A.u.K. Müller

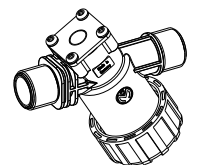
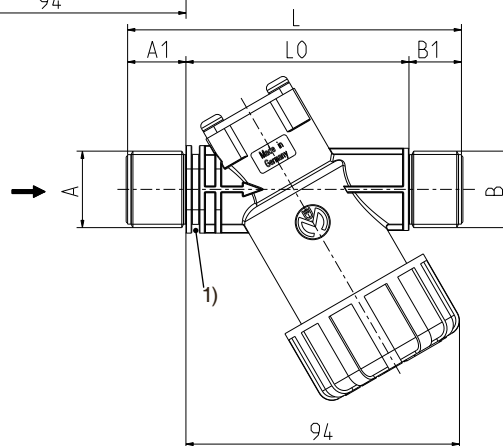
Series 12.017.400 /~.500



12.017.500
includes shut off capability



1) Fixing groove



Options

Material	Inlet	A1	Outlet	B1	L0	Length	L
PA 66	G 3/4	20,0	G 3/4 female gland nut	10,5	92,5	123,0	
PA 66	G 3/4 female gland nut	11,0	G 3/4	18,0	95,5	124,5	
PA 66	G 3/4	20,0	G 3/4	18,0	76,5	114,5	
PA 66	G 3/4 female gland nut	11,0	G 3/4 female gland nut	10,5	111,5	133,0	on request

