

Servo-controlled solenoid valve NC, DN 13

Product Information



A. u. K. Müller

Solenoid valves
Control valves
Special valves and systems

A. u. K. Müller GmbH & Co. KG
Dresdener Str. 162
D-40595 Düsseldorf/Germany

Tel.: +49(0)211-7391-0
Fax: +49(0)211-7391-281

e-mail: info@akmueller.de
Internet: www.akmueller.de

Series 01.013.115



Characteristics

- Servo-controlled
- Normally closed (NC)
- Solenoid replaceable while medium circuit remains untouched, solenoid rotatable 4x90°
- Suitable for hot water up to 90 °C
- Similar performance for alternating or direct current
- Long term performance capability
- Optimized water hammer characteristic by low noise emission according to EN 60730
- High operating safety by the use of high quality materials and 100% final testing of the products

Description

2/2-way solenoid valve of nominal diameter DN 13 for use with cold and heated potable water and physically and chemically similar media. The valve is servo-controlled and normally closed (NC).

Valves of this design are single chamber valves with the inlet ninety degrees to the outlet.

Coil systems for common voltage and frequency ranges are available.

The electrical operational safety is guaranteed by the electrical insulation coordination, which corresponds to the VDE 110 regulations. The manufacturing process includes a 100% electrical safety test in accordance with the VDE 0631 Part 1000 regulations.

By using high quality insulation materials, continuous duty (100 % ED) at higher medium temperatures is possible. The glass fibre reinforced polyamide valve body persists hot water. Protection against corrosion of inner parts exposed to the medium is achieved by using stainless steel.

Applications

- Steam appliances
- Hot / cold drink dispensers
- Industrial appliances
- Air conditioning
- Agricultural implements
- Pollution equipment
- Temperature equalisers
- Dish washers
- Ice machines
- Washing machines
- Water treatment

Approvals

Approved versions available on request:



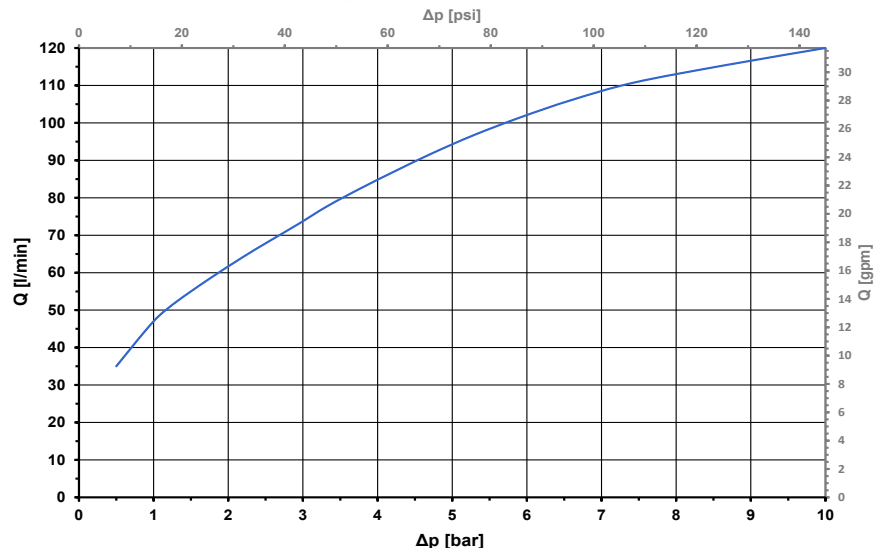
KTW - BWGL



UL US

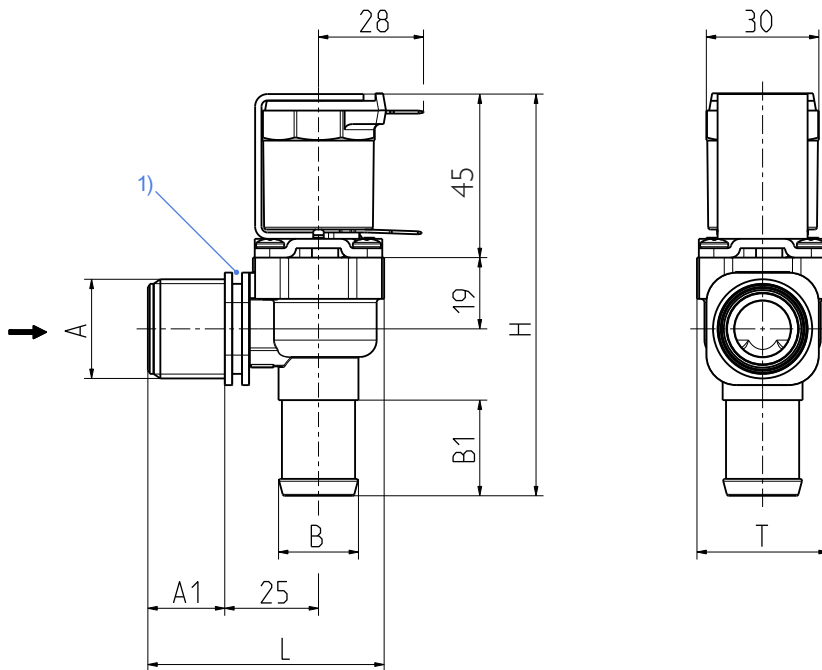
- EC 1935/2004
- KTW-BWGL (cold and hot water)
- WRAS
- UL
- Other approvals on request

Typical Performance Curve



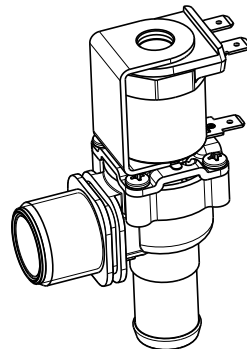


Series 01.013.115



1) Fixing groove

| Materials | |
|-----------------------|--|
| Valve body | PA 66 glass fibre reinforced |
| Plunger guide | stainless steel |
| Plunger and spring | stainless steel |
| Membrane and sealings | EPDM NBR (on request) VMQ (on request) |
| Coil coating | PBT,PET or epoxy resin |
| Filter | stainless steel |



Technical Data

| | | |
|-------------------|---|---|
| Type | solenoid valve | |
| Construction | 2/2-way single chamber valve, inlet ninety degree to outlet, servo-controlled | |
| Function | NC (normally closed) | |
| Fitting position | any, preferably with coil upwardly | |
| Media | cold and heated potable water and physically and chemically similar media | |
| T-Medium | 5 - 90 | °C |
| T-Ambient | 5 - 70 (5 - 60) | °C °C UL and coils MS.024, MS.025) |
| DN | 13 | mm |
| p-Operating | 0,2 - 10 | bar |
| Flow factor KV | 47 | l/min |
| Flow regulator | on request | |
| Pressure surge | according to EN 60730 | |
| Coil type | MS 06, MS 24, MS 25 | |
| Nominal voltages | 220 - 240 110 110 - 127 24 12 24 12 | V AC 50-60 Hz V AC 50 Hz V AC 60 Hz V AC 50/60 Hz V AC 50/60 Hz V DC V DC |
| | other voltages on request | |
| Voltage tolerance | +10% -15% | |
| Duty cycle | 100% | |
| Nominal power | 8,5 W | 13 VA (AC only) |
| Protection Type | see coils | |
| Coil connections | flat tabs 6,3 x 0,8 mm plug socket according to EN 175301-803 (IP65), several cable connections (IP67, IP68) | |
| Insulation class | F | according to EN 60730 |
| Protection class | see coils | according to EN 60730 |

Options

| Material | Inlet | | Outlet | | Length L | Height H | Depth T |
|----------|-------|----|-------------|------|----------|----------|---------|
| | Ø A | A1 | ØB | B1 | | | |
| PA 66 | G 3/4 | 20 | 21,0 nozzle | 25,5 | 63 | 109 | 35 |

Coils

| | | MS 06 | MS 24 | MS 25 |
|--|---------------------------------------|-------|-------|------------|
| Protection Type according to ISO 206653 / DIN EN 60529 | | IP 00 | IP 65 | IP 65 / 68 |
| Protection class DIN EN 61140 / DIN EN 60730 | I with protective conductor system | | - | - |
| | II with reinforced insulation | | | |
| | III for SELV or PELV | | | |