

# Servo-controlled solenoid valve NC, DN 13

# Product Information



## A.u.K. Müller

Solenoid valves  
Control valves  
Special valves and systems

A. u. K. Müller GmbH & Co. KG  
Dresdener Str. 162  
D-40595 Düsseldorf/Germany

Tel.: +49(0)211-7391-0  
Fax: +49(0)211-7391-281

e-mail: info@akmueller.de  
Internet: www.akmueller.de

### Series 01.013.225



### Characteristics

- ▣ servo-controlled
- ▣ normally closed (NC)
- ▣ solenoid replaceable while medium circuit remains untouched, solenoid rotatable 4x90°
- ▣ suitable for hot water up to 90 °C
- ▣ similar performance for alternating or direct current
- ▣ long term performance capability
- ▣ optimized water hammer characteristic by low noise emission according to EN 60730
- ▣ high operating safety by the use of high quality materials and 100% final testing of the products

### Applications

- ▣ steam appliances
- ▣ dental appliances
- ▣ hot / cold drink dispensers
- ▣ industrial appliances
- ▣ air conditioning
- ▣ agricultural implements
- ▣ pollution equipment
- ▣ temperature equalisers
- ▣ dish washers
- ▣ ice machines
- ▣ washing machines
- ▣ water treatment

### Description

2/2-way solenoid valve of nominal diameter DN 13 for use with cold and heated potable water and physically and chemically similar media. The valve is servo-controlled and normally closed (NC).

Valves of this design are double chamber straight valves and can be manufactured with various connections.

Coil systems for common voltage and frequency ranges are available.

The electrical operational safety is guaranteed by the electrical insulation coordination, which corresponds to the VDE 110 regulations. The manufacturing process includes a 100% electrical safety test in accordance with the VDE 0631 Part 1000 regulations.

By using high quality insulation materials, continuous duty (100 % ED) at higher medium temperatures is possible. The glass fibre reinforced polyamide valve body persists hot water. Protection against corrosion of inner parts exposed to the medium is achieved by using stainless steel.

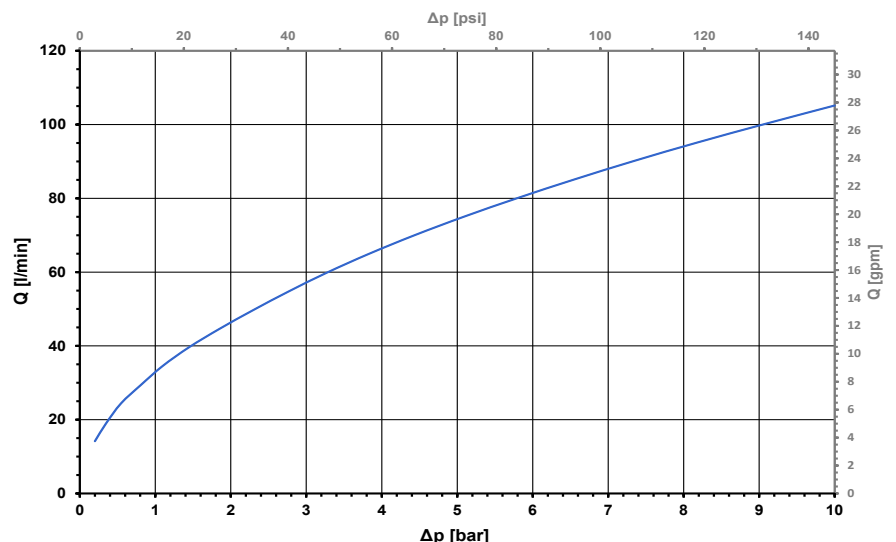
### Approvals

Approved variants available on request:



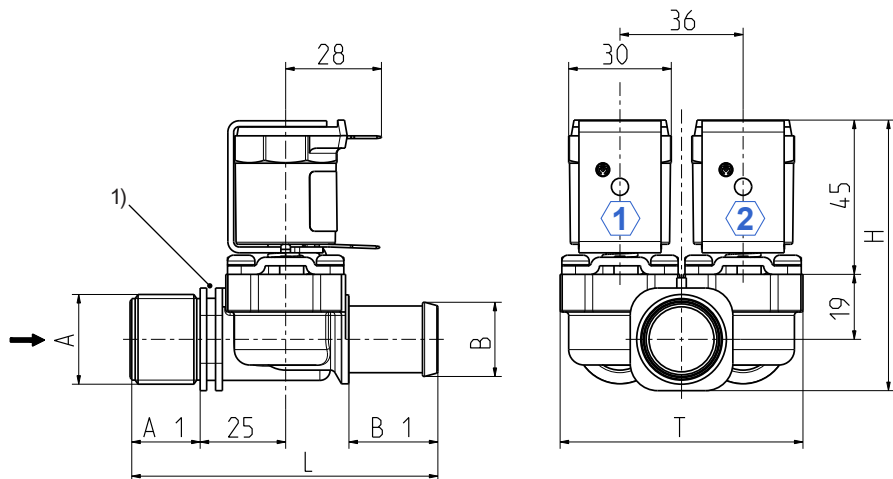
- ▣ KTW - BWGL System 1+
- ▣ DVGW CERT hot water 85 °C
- ▣ WRAS
- ▣ UL 60 °C
- ▣ VDE / ENEC
- ▣ Other approvals on request

Typical Performance Curve





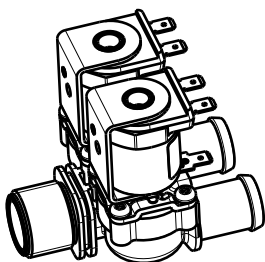
Series 01.013.225



1) Fixing groove  
①, ② valve chamber

Materials

Valve body	PA 66 glass fibre reinforced PPE on request PEI on request
Plunger guide	stainless steel
Plunger and spring	stainless steel
Membrane and sealings	EPDM NBR (on request) VMQ (on request)
Coil coating	PBT, PET or epoxy resin
Filter	POM (in inlet) stainless steel on request



Technical Data

Type	solenoid valve	
Construction	2/2-way 2 chamber straight valve, servo-controlled	
Function	NC (normally closed)	
Fitting position	any, preferably with coil upwardly	
Media	cold and heated potable water and physically and chemically similar media	
T-Medium	5 - 90	°C
T-Ambient	5 - 70 (5 - 60	°C °C UL and coils M 24, MS 25)
DN	13	mm
p-Operating	0,2 - 10 bar	
Flow factor Kv	33	l/min
Flow regulator	on request	
Pressure surge	according to EN IEC 60730-2-8	
Coil type	MS 06, MS 24, MS 25	
Nominal voltages	220 - 240 V AC 110 V AC 110 - 127 V AC 24 V AC 12 V AC 24 V DC 12 V DC	50-60 Hz 50 Hz 60 Hz 50/60 Hz 50/60 Hz V DC V DC
	other voltages on request	
Voltage tolerance	+10% -15%	
Duty cycle	100%	
Nominal power	8,5 W	13 VA (AC only)
Protection Type	see coils	
Coil connections	flat tabs 6,3 x 0,8 mm plug socket according to EN 175301-803 (IP65), several cable connections (IP68)	
Insulation class	F	according to EN 60730
Protection class	see coils	according to EN 60730 (for incorporation in class I)

Options

Material	Inlet		Outlet		Length L	Height		Depth T
	Ø A	A1	Ø B	B1		H		
PA 66	G 3/4	20,0	2 x 21,0 nozzle	26,0	90,0	80,0	71,0	
PA 66	G 3/4	20,0	1 x 21,0 nozzle ① 1 x 14,5 nozzle ②	26,0 17,0	90,0	80,0	71,0	
PA 66	.75-11,5 NH	20,0	1 x 21,0 nozzle ① 1 x 14,5 nozzle ②	26,0 17,0	90,0	80,0	71,0	
PPE	.75-11,5 NH	20,0	1 x 21,0 nozzle ① 1 x 14,5 nozzle ②	26,0 17,0	90,0	80,0	71,0	

Coils

Protection Type according to ISO 206653 / DIN EN 60529	MS 06	MS 24	MS 25	
	IP 00	IP 65	IP 65 / 68	
Protection class DIN EN 61140 / DIN EN 60730	I with protective conductor system		-	-
	II with reinforced insulation			
	III for SELV or PELV			