

2/2-way drain valve, DN 40, vacuum controlled

Product Information



A. u. K. Müller

Solenoid valves
Control valves
Special valves and systems

A. u. K. Müller GmbH & Co. KG
Dresdener Str. 162
D-40595 Düsseldorf/Germany

Tel.: +49(0)211-7391-0
Fax: +49(0)211-7391-281

e-mail: info@akmueller.de
Internet: www.akmueller.de

Series 04.040.113



Characteristics

- Direct acting
- Vacuum controlled
- Long term performance capability
- Max. medium temperature 90 °C
- Works from zero pressure
- Suitable for spray- and jet water
- High operating safety through the use of high quality materials and 100% final testing of the products

Applications

- Industrial washing machines and dishwashers
- Cleaning devices for medical equipment
- Cleaning and disinfecting systems in the dairy industry and process engineering

Description

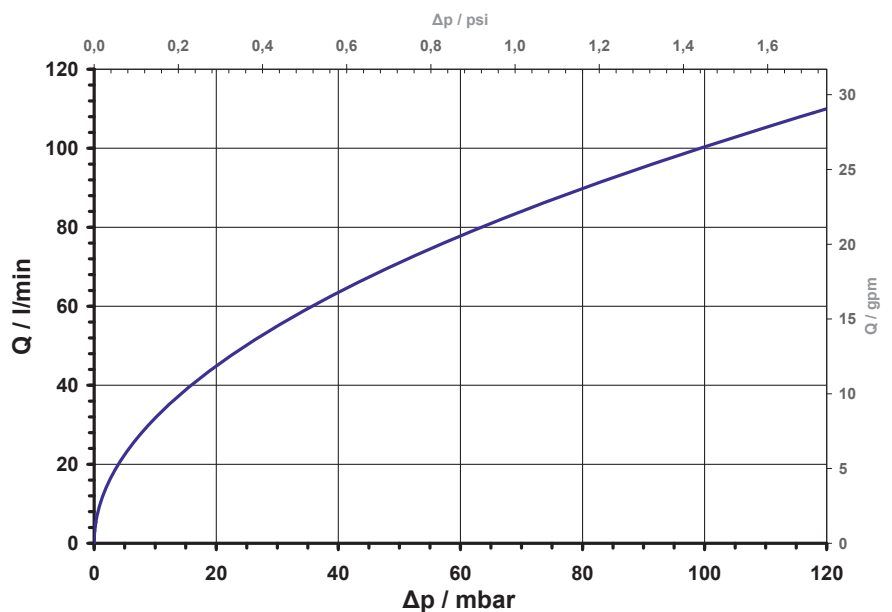
2/2-way direct acting drain valve of nominal diameter DN 40 for controlling low aggressive liquid media, such as cleaning or disinfection agents.

Valves of this type are medium separated, having a single chamber valve body with the inlet at ninety degrees to the outlet. They can be manufactured in various materials and equipped with threaded or hose connections.

Valve housing made of PPE or stainless steel are suitable for hot water. Valve housing made of PVDF have a higher resistance to chemicals where stainless steel has both features.

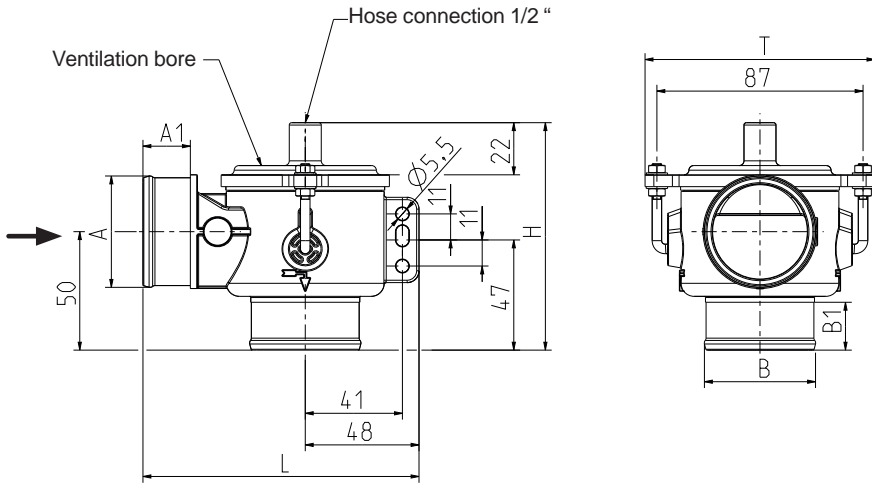
The smooth internal shape improves liquid flow and avoids dirt traps. The valve bodies can be equipped with an additional flush spout.

typical performance curve





Series 04.040.113

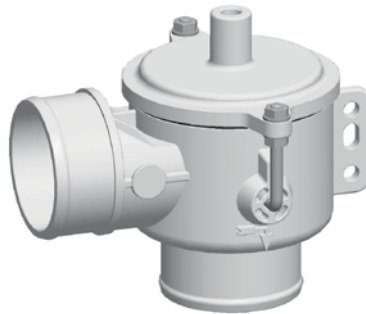


Technical Data

Type	drain valve, vacuum controlled	
Construction	2/2-way, single chamber angle valve, direct acting	
Function	NC (closed without applying vacuum)	
Fitting position	any, preferably with coil upwardly	
Media	low aggressive media, such as cleaning or disinfection agents in water	
T-Medium	90	°C max.
T-Ambient	50	°C max.
DN	40	mm
p-Operating	0 - 600	mbar max
Control vacuum	30 - 60 -0,4 - -0,7	kPa abs. bar rel.

Materials

Valve body	PPE, PVDF, stainless steel on request
Control chamber	PPE
Membrane and sealings	EPDM FKM on request



To prevent moisture entries in the vacuum chamber, appropriate measures should be provided.

Options

ID	Material	Ø A	A1	Ø B	B1	L	H	T
on request	PPE	G 1 1/2	21	G 1 1/2	21	117	96	97
		G 1 1/2		nozzle 1 1/2"				
		nozzle 1 1/2"		G 1 1/2				
51460		nozzle 1 1/2"		nozzle 1 1/2"				



International vacuum/pressure conversion table

Unit	bar	N/cm ²	kPa	atm., kp/cm ² , m H ₂ O	Torr, mm Hg	psi
bar	1	10	100	1,0197	750,06	14,5
N/cm ²	0,1	1	10	0,1019	75,006	1,45
kPa	0,01	0,1	1	0,0102	7,5006	0,145
atm., kp/cm ² ; m H ₂ O	0,9807	9,807	98,07	1	735,56	14,22
Torr, mm Hg	0,00133	0,0133	0,1333	0,00136	1	0,0193
psi(a)	0,0689	0,6896	6,896	0,0703	51,68	1

International vacuum/ pressure conversion table comparing absolute and relative values

Relative vacuum	Residual pressure absolute		Relative pressure					
	kPa	bar	bar	N/cm ²	kPa	atm., kp/ cm ² , m H ₂ O	Torr, mm Hg	psi
10	90	0,9	-0,101	-1,01	-10,1	-0,1	-76	-1,47
20	80	0,8	-0,203	-2,03	-20,3	-0,2	-152	-2,94
30	70	0,7	-0,304	-3,04	-30,4	-0,3	-228	-4,41
40	60	0,6	-0,405	-4,05	-40,5	-0,4	-304	-5,88
50	50	0,5	-0,507	-5,07	-50,7	-0,5	-380	-7,35
60	40	0,4	-0,608	-6,08	-60,8	-0,6	-456	-8,82
70	30	0,3	-0,709	-7,09	-70,9	-0,7	-532	-10,28
80	20	0,2	-0,811	-8,11	-81,1	-0,8	-608	-11,75
90	10	0,1	-0,912	-9,12	-91,2	-0,9	-684	-13,22



Solenoid valves
Control valves
Special valves and systems

A. u. K. Müller GmbH & Co. KG
Dresdener Str. 162
D-40595 Düsseldorf/Germany

Tel.: +49(0)211-7391-0
Fax: +49(0)211-7391-281

e-mail: info@akmueller.de
Internet: www.akmueller.de