



Series 47.009.302



Characteristics

- Direct acting
- Medium separated
- Minimal dead areas in valve body
- Long term performance capability
- No minimal pressure required
- Suitable for hot water appliances (98 °C)
- Easy to assemble and service
- Low power consumption
- Any fitting position
- High operating safety through the use of high quality materials and 100% final testing of the products

Description

Direct acting 2/2 way solenoid valve with orifice size DN 9 for control of neutral gases and liquids. The plunger of the magnetic system is protected by spatial separation from the medium. In particular, the low dead space is a further advantage of the lever valves.

Applications

- Tank or boiler draining
- Medical engineering
- Laboratory / analysis equipment
- Industrial applications

Valves of this design are single chamber valves with threaded connections.

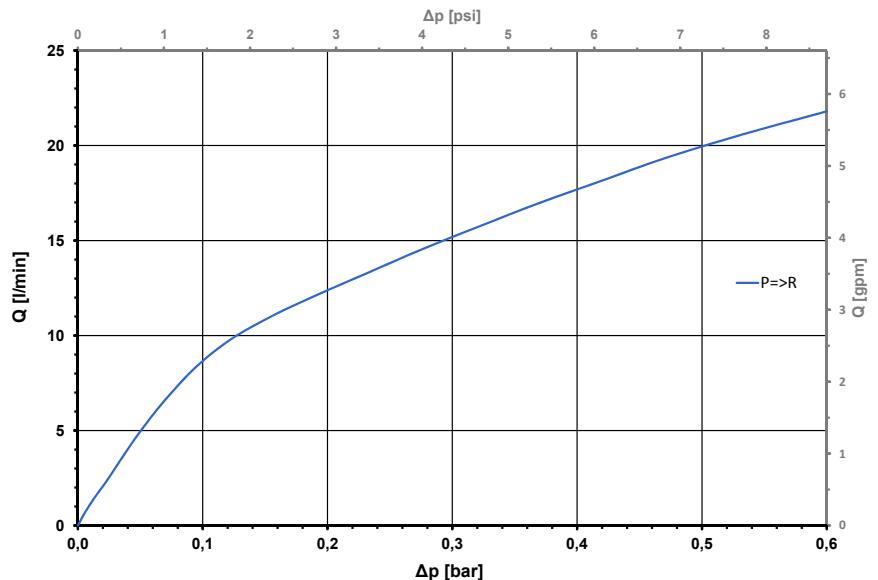
The coil system can be customised for common voltage and frequency ranges on request.

The electrical operational safety is guaranteed by the electrical insulation coordination, which corresponds to the VDE 110 regulations. The manufacturing process includes a 100% electrical safety test in accordance with the VDE 0631 Part 1000 regulations.

Due to the use of high quality materials, the valve is applicable for high ambient temperatures and medium temperatures up to 98 °C.

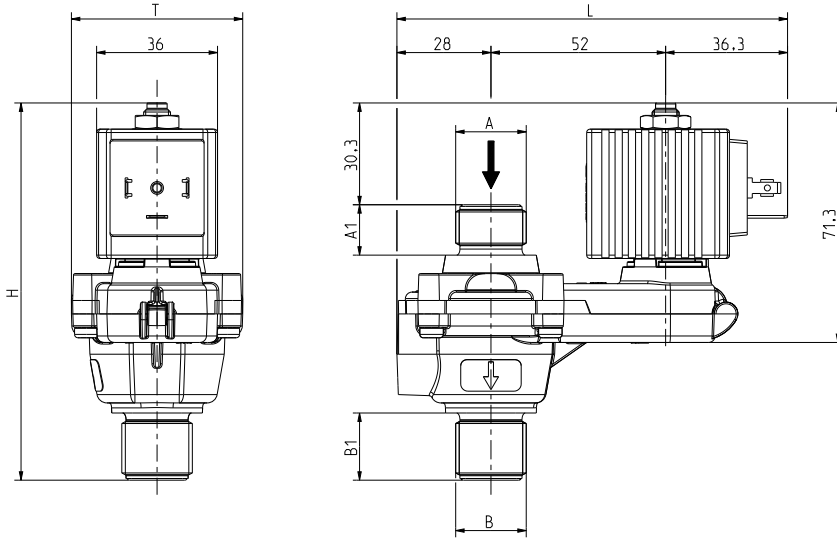
Ideally suited for dosing applications. The good thermal separation between the fluid path and the solenoid coil also allows the use of temperature sensitive media, such as in the medical technology or analytics.

Typical Performance Curve
under laboratory conditions





Series 47.009.302

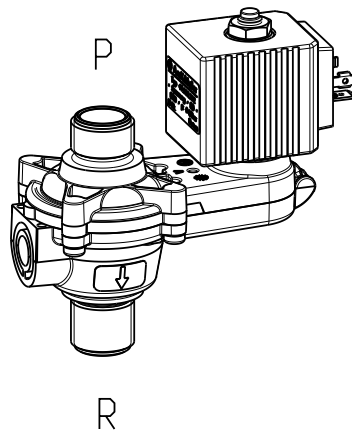


Technical Data

Type	Lever Solenoid Valve
Construction	2/2-way single chamber straight valve, direct acting, media separated
Function	NC (normally closed)
Fitting position	Any, preferably with coil upwardly
Media	Cold and heated water and physically and chemically similar media
T-Medium	5 - 98 °C
T-Ambient	5 - 60 °C
DN	9 mm
p-Operating	0 - 0,6 bar
Coil type	MS 44
Nominal voltages	see options other voltages on request
Voltage tolerance	±10 % DC +10 % / -5% AC
Duty cycle	100%
Protection Type	IP 00 up to IP 65 according to EN 60529
Coil connections	plug socket according to EN 175301-803 (IP65)
Insulation class	H according to EN 60730
Protection class	I according to EN 60730

Materials

Valve body	PPE
Plunger guide	stainless steel
Plunger and spring	stainless steel
Membrane and sealings	FKM or EPDM
Coil coating	PA
Filter (inlet)	stainless steel (on request)



Options

ID	Material	Inlet		Outlet		Length L	Height H	Depth T	Voltages
		Ø A	A1	Ø B	B1				
090900	PPE	G 1/2	15	G 1/2	20	116,3	112,3	51	24 V DC
090901									24 V AC 50 Hz
090908									110 V AC 50 Hz
090909									120 V AC 60 Hz
									230 V AC 50 Hz



ATTENTION

Danger due to high voltages 110, 120, 230 V AC. Disconnect the system from the power supply before carrying out maintenance or installation work. Connection work may only be carried out by qualified personnel.