

# Bistable, Servo-controlled 2/2-Way Valve, DN 5

# Product Information



**A. u. K. Müller**

Solenoid valves  
Control valves  
Special valves and systems

A. u. K. Müller GmbH & Co. KG  
Dresdener Str. 162  
D-40595 Düsseldorf/Germany

Tel.: +49(0)211-7391-0  
Fax: +49(0)211-7391-281

e-mail: [info@akmueller.de](mailto:info@akmueller.de)  
Internet: [www.akmueller.de](http://www.akmueller.de)

## Series 50.005.126 bi



## Characteristics

- Servo-controlled
- Pretested functional unit
- Suitable for the thermal as well as chemical disinfection
- Long term performance capability
- Optimized flow factor Kv for DN 5 (9 - 10 l/min at 1 bar)
- Optimized water hammer characteristic by low noise emission according to EN 60730
- Easy to assemble and service
- Low power consumption - Battery operation possible
- Suitable for spray and jet water
- High operating safety through the use of high quality material and hygiene benefit by 100% final testing with air

## Applications

- Automatic fittings
- Sanitary fittings
- Pilot system for valves with a larger nominal diameter

## Approvals

Approved versions available on request:

- KTW-BWGL
- Others on request

## Description

2/2-way solenoid servo-controlled valve of DN 5 in bistable version, for the control of potable water. The valve is especially suitable for use in electronically controlled, battery driven sanitary fittings.

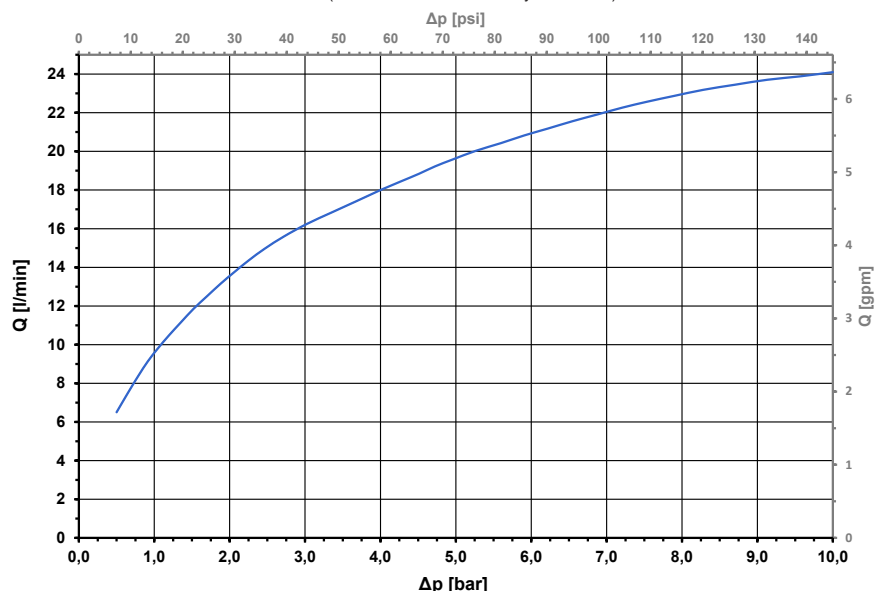
There is no need to create a mounting contour, as is the case with a cartridge valve.

The power consumption is minimised by the use of impulse control (pwm) to increase long term performance, durability and battery life.

The flow rate of the cartridge valve has been optimized in such a way, that the nominal diameter of DN 5 fulfils the standard requirements for sanitary tap ware.

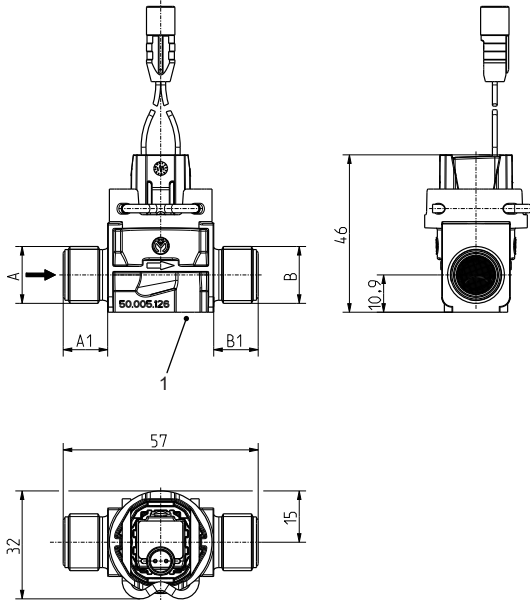
A wide range of connection options can be realised through the valve body.

Typical Performance Curve  
(measured under laboratory conditions)





**Series 50.005.126 bi**



1) Fixing possibility for self tapping screw Ø 4,2

Materials	
Valve body	PA 6/6 glass fibre reinforced
Injector	PPSU
Plunger guide	LCP
Plunger	stainless steel
Membrane and sealings	EPDM
Filter (on request)	stainless steel

Note:  
The upper part of the valve cannot be dismantled. The metal bracket must not be removed from the housing!

Note:  
The filtration of the medium must be ensured by the user. Alternatively, the valve can be equipped with a filter in the inlet.

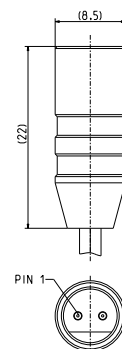
Options						
ID	A	A1	B	B1	Connection type	Cable length L
065820	G 3/8	13	G 3/8	13	with leads and connector	85 ± 5 mm (standard)

Others variants on request

**Male connector**

**Polarity of connector:**  
strand color **RED** Pin 1  
strand color **BLACK**

PLUS(+) pulse to open  
MINUS(-)



Technical Data	
Type	servo-controlled valve
Construction	2/2-way
Function	bistable, pulse controlled
Connection	3/8" thread (other connection variants e.g. nozzles or PushFit on request)
Fitting position	any
Media	cold and heated potable water and physically and chemically similar media
T-Medium	5 - 70 °C (5 - 80 °C max. 10 min)
T-Ambient	5 - 60 °C
DN	5 mm
p-Operating (PN)	0,5 - 10,0 bar
Flow factor Kv	9 - 10 l/min
Pressure surge	according to EN IEC 60730-2-8 and EN 15091 (5 l/min)
Burst pressure (5x PN)	according to EN IEC 60730-2-8
Durability	according to ASME A112.18.1-2018 500,000 switching operations under laboratory conditions
Nominal voltage	6 V DC
Operating voltage	4,0 - 6,9 V DC open/close at T-ambient 25 °C
Pulse shape/-time	
Nominal power	1,4 W @ 6 V
Protection Type	IP 65
Insulation class	B according to EN IEC 60730-2-8
Protection class	III according to EN IEC 60730-2-8

Good resistance to thermal (e.g., T-medium 80 °C / 10 minutes / once daily) and chemical disinfection.

Hygiene advantage by air testing prior to delivery.