

Manually-operated Cartridge Valve, DN 5 latching

Product Information



A. u. K. Müller

Solenoid valves
Control valves
Special valves and systems

A. u. K. Müller GmbH & Co. KG
Dresdener Str. 162
D-40595 Düsseldorf/Germany

Tel.: +49(0)211-7391-0
Fax: +49(0)211-7391-281

e-mail: info@akmueller.de
Internet: www.akmueller.de

Series 50.005.801



Characteristics

- Mechanical valve actuation at your fingertip
- Simple, manual operation
- Compact design
- Available with two installation lengths
- Pretested functional unit
- Hygiene benefit by 100% final testing with air
- Particle protection by stainless steel filter in the inlet
- Long term performance capability
- Easy to assemble and service
- Cylindrical design
- Any fitting position
- High operating safety through the use of high quality material

Description

2/2-way, latching cartridge valve with a nominal orifice DN 5 with a mechanical valve actuation. By manual operation, at a push of a button so to speak, the valve opens and closes. The manual actuation enables innovative user concepts for sanitary applications without requiring an external power supply. It is particularly suitable for the control of drinking water as hand-operated shut-off valve in faucets for washbasins or kitchen.

The design outline has been reduced so far that integration in appropriate components, while using a minimum amount of space, is given.

A further advantage is the simple "screw in" design, supporting easy assembly, service and test by the customer.

The interface of the valve is compatible with the solenoid controlled 50.005.101 series.

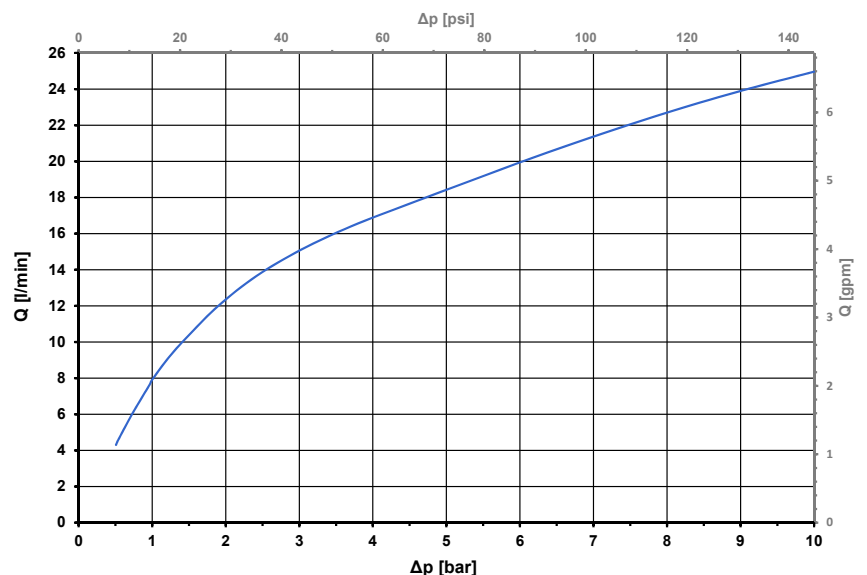
Applications

- Sanitary fittings as faucets for washbasin or kitchen
- Irrigation systems
- Industrial appliances

Possible certificates

- KTW/W270
- NSF 61
- WRAS
- ACS

typical performance curve



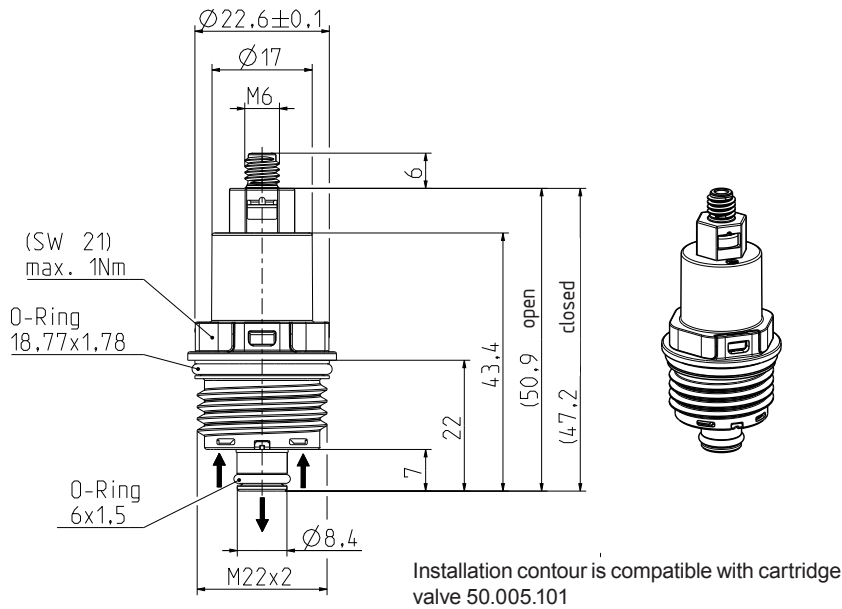
Manually-operated Cartridge Valve, DN 5 latching



A. u. K. Müller

Series 50.005.801

Standard installation length



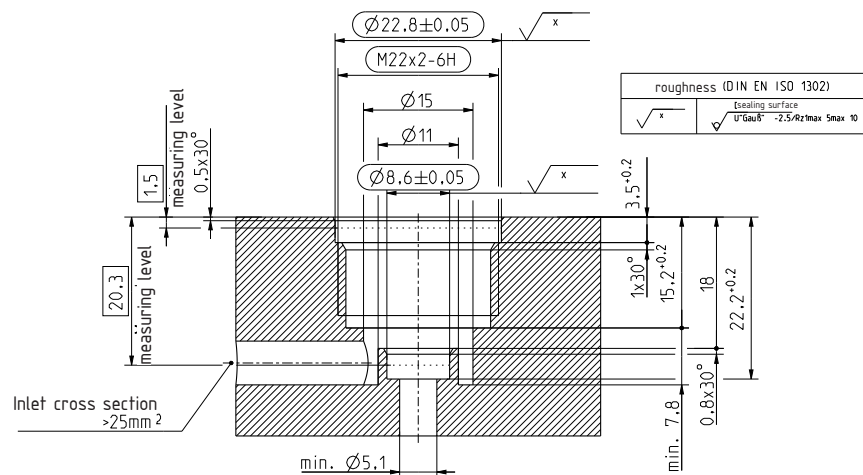
Technical Data

Type	Cartridge Valve with Mechanical Activation	
Construction	2/2-way, Screw-in	
Function	Manually Operated, Latching	
Connection	Thread M22 x 2	
Cap connection	Thread M6, Others on Request	
Fitting position	Any	
Media	Cold and heated potable water and physically and chemically similar media	
T-Medium	75	°C max.
T-Ambient	5 - 75	°C max.
DN	5	mm
p-Operating	0,5 - 10,0	bar
Cv-value	7,9	l/min
Pressure surge	according to EN 60730	
Burst pressure	according to EN 60730	

Good resistance to thermal (e.g., T-medium 80 °C / 10 minutes) and chemical disinfection.

Hygiene advantage by dry testing with air prior to delivery.

Screw-in Contour



Materials

Valve body	PA 6/6
Valve seat	PPSU
Plunger	Stainless Steel
Membrane and sealings	EPDM
Filter	Stainless Steel (Inlet)

⚠ O-Rings are to be greased before screw-in.

⚠ Max. torque for screw-in: 1Nm