



**Series 51.007.125**



51.007.125 DS



51.007.125 YS

**Characteristics**

- Servo controlled
- Pre-tested functional unit
- Long term performance capability
- Internal pollution protection
- Optional: Pressure relief on the outlet side
- Compact design
- Optimized water hammer characteristic by low noise emission according to EN 60730 / EN 15091
- Easy to assemble and service
- Low power consumption
- Any fitting position
- High operating safety by the use of high quality materials and 100% final testing of the products

**Description**

2/2 way solenoid bistable valve, DN 7, to control potable water with pilot controlled function, especially suitable for the application in battery operated electronically controlled faucets. A monostable version that is suitable for mains operation is also available.

The power consumption is minimised by the use of impulse control (pwm), to achieve with primary cells a high capability with assured valve function.

The construction is in the external contour decreased to allow a smooth integration of the component into a small space. The waterway is specially designed for fittings as a straight valve. The user does not need to design a valve seat.

**Applications**

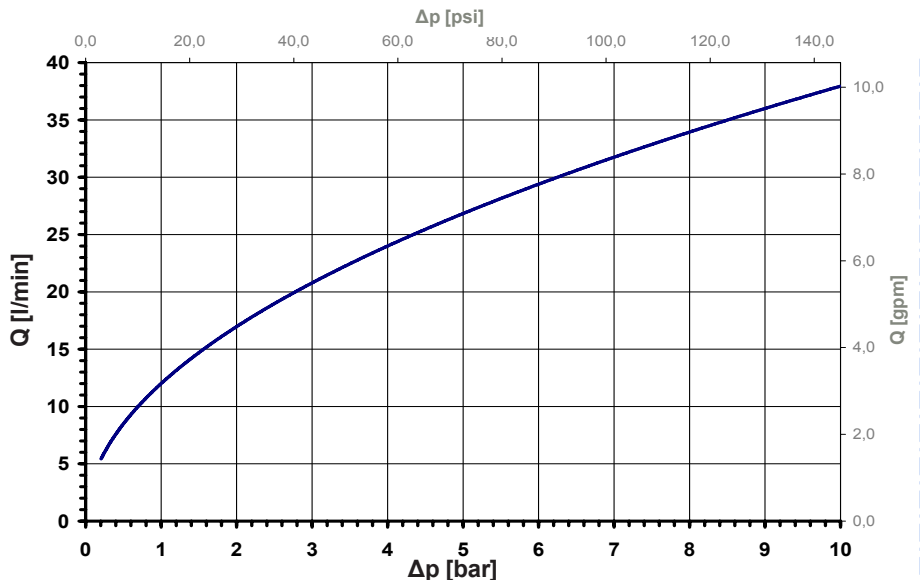
- Sanitary faucets

**Approvals**



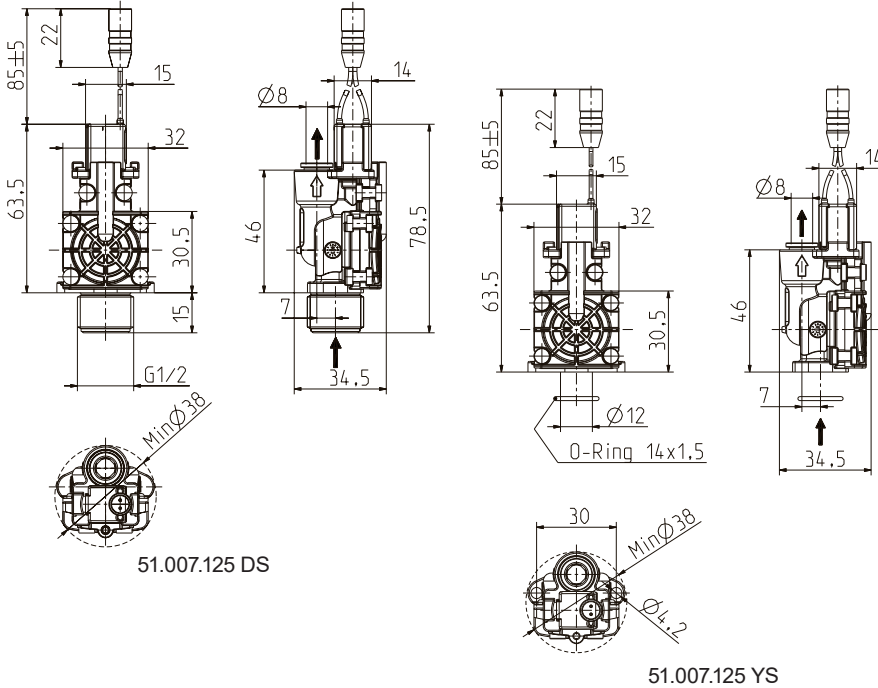
- ACS
- DVGW hot water
- KTW-BWGL System 1+
- NSF (UK) Reg 4

Typical Performance Curve





**Series 51.007.125**

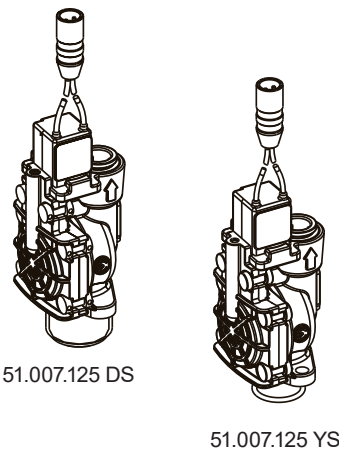


51.007.125 DS

51.007.125 YS

**Materials**

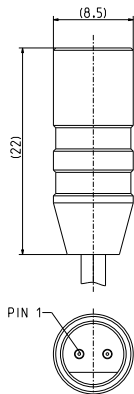
Valve body	PA 6/6 glass fibre reinforced
Plunger and spring	stainless steel
Membrane and sealings	EPDM
Membrane insert	PSU
Seal retainer	PEI
Coil coating	Hotmelt



51.007.125 DS

51.007.125 YS

**Coil connection - Options**



**pin plug**

**polarity of plug:**

Wire colour **RED** Pin 1  
Wire colour **BLACK**

PLUS(+) for opening pulse  
MINUS(-)

**Option:**

Conditional application possibilities with other John Guest-adapters (presently 8mm Ø), different connection threads for flex tubes and other fixing possibilities for the cartridge valve on request

**Technical Data**

Type	axial valve	
Construction	2/2-way, servo-controlled	
DS	G 1/2 - John Guest 8mm	
YS	flange - John Guest 8mm	
Function	bi stable, pulse controlled	
Fitting position	any, preferably with coil upward	
Media	cold and heated potable water and physically and chemically similar media	
T-Medium	5 - 70	°C
T-Ambient	5 - 50	°C
DN	7	mm
p-Operating	0,5 - 10,0	bar
Flow factor Kv	12	l/min
Pressure surge	according to EN 60730 / EN 15091	
Function	<b>bistable (latching) pulse controlled</b>	
Nominal voltages	6 V DC (9 V DC on request)	
	other voltages on request	
Operating voltage	4,0 - 6,9 V DC open/close at T-Ambient 25 °C	
Pulse shape/-time		
Nominal power	1,4 W (<1,0 W)	at nominal voltage at 5 V DC)
Function	<b>monostable (NC)</b>	
Nominal voltage	12 V DC 24 V DC	1,7 W 1,8 W
	other voltages on request	
Voltage tolerance	-15 % / +10 %	
Optional voltage reduction		
	$t_{start} : 100 \text{ ms}$ dutycycle $\geq 33\%$ [ $>100\text{Hz}$ ] PWM $t_{start} : 100 \text{ ms}$ dutycycle $\geq 25\%$ [ $>1\text{kHz}$ ] PWM	
Nominal power	12 V DC 24 V DC	1,7 W 1,8 W
Protection Type	IP 65	according to EN 60529
Insulation class	B	according to EN 60730
Protection class	III	according to EN 60730



### Series 51.007.125

#### Optional pressure relief function


If a significant overpressure builds up on the inlet side, this can lead to malfunctions in the valve function. There is also a risk of damage to other system components, such as a backflow preventer. The overpressure is relieved on the outlet side in accordance with DIN 1717 and the drinking water network remains protected against recontamination.



The membrane with pressure relief function is fitted at the factory.

If the pressure on the inlet side exceeds 16 bar, an opening in the membrane is released and the excess pressure can escape on the outlet side.

Other relief pressures are also possible on customer request.



Solenoid valves  
Control valves  
Special valves and systems

A. u. K. Müller GmbH & Co. KG  
Dresdener Str. 162  
D-40595 Düsseldorf/Germany

Tel.: +49(0)211-7391-0  
Fax: +49(0)211-7391-281

e-mail: [info@akmueller.de](mailto:info@akmueller.de)  
Internet: [www.akmueller.de](http://www.akmueller.de)