

Servo-controlled Solenoid Valve NC, DN 5

Product Information



A. u. K. Müller

Solenoid valves
Control valves
Special valves and systems

A. u. K. Müller GmbH & Co. KG
Dresdener Str. 162
D-40595 Düsseldorf/Germany

Tel.: +49(0)211-7391-0
Fax: +49(0)211-7391-281

e-mail: info@akmueller.de
Internet: www.akmueller.de

Series 62.005.115



Characteristics

- Servo-controlled
- Normally closed (NC)
- Solenoid replaceable while medium circuit remains untouched, solenoid rotatable 4x90°
- Suitable for hot water up to 90 °C
- Optimized water hammer characteristic by low noise emission according to EN 60730
- Long term performance capability
- High operating safety by the use of high quality materials and 100% final testing of the products

Description

2/2-way solenoid valve of nominal diameter DN 5 for use with cold and heated potable water as well as physically and chemically similar media. The valve is servo-controlled and normally closed (NC).

Valves of this design are single chamber valves with the inlet ninety degrees to the outlet.

This compact valve is ideally suited as a water inlet valve with a flow factor Kv of 7 l/min.

The electrical operational safety is guaranteed by the electrical insulation coordination, which corresponds to the VDE 110 regulations. The manufacturing process includes a 100% electrical safety test in accordance with the VDE 0631 Part 1000 regulations.

By using high quality insulation materials, continuous duty (100 % ED) at higher medium temperatures is possible. The glass fibre reinforced polyamide valve body resists hot water of up to 90 °C

Applications

- Electronic faucets and bidet
- Steam appliances
- Dental appliances
- Hot / cold drink dispensers
- Industrial appliances
- Air conditioning
- Agricultural implements
- Cleaning systems
- Temperature equalisers
- Ice machines
- Water treatment

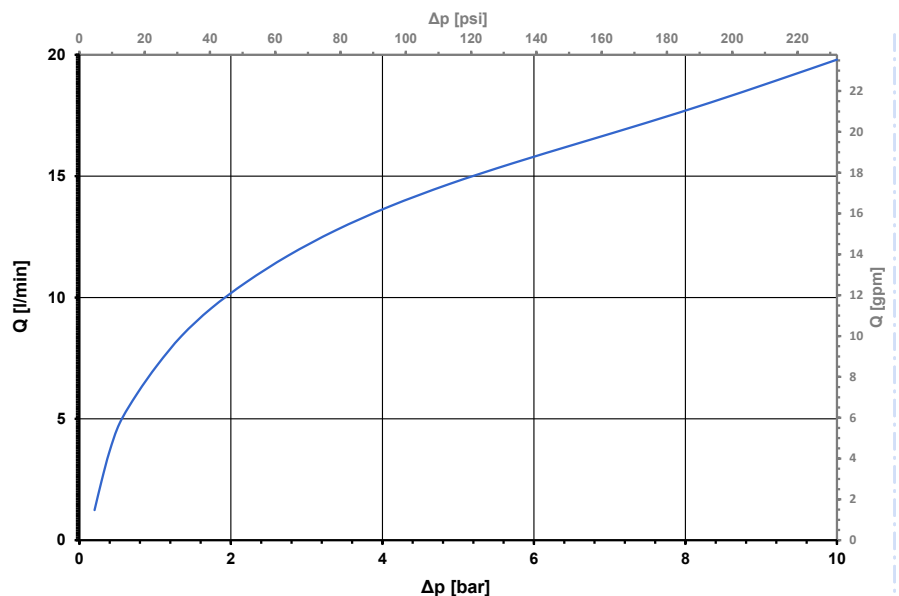
Approvals



Approved versions available on request:

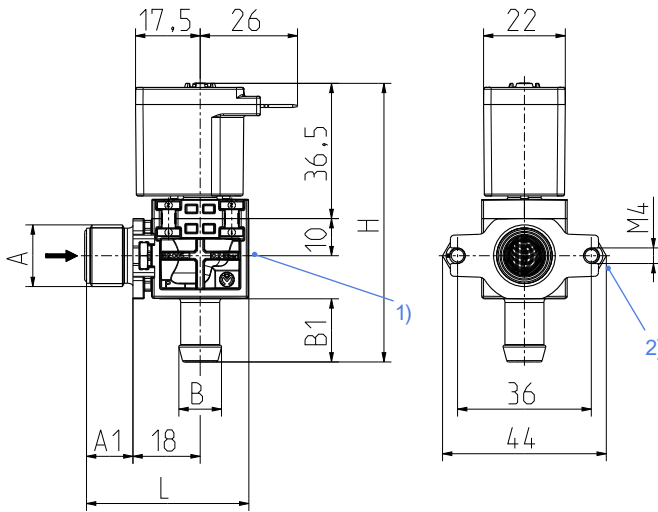
- KTW - BWGL System 1+
- DVGW hot water
- VDE / ENEC
- SVGW
- ACS
- NSF
- UL
- Others on request

Typical Performance Curve





Series 62.005.115



- 1) Fixing groove for E-jot Delta PT 40 x 8 screw
- 2) Wall mounting with screw and nut M4

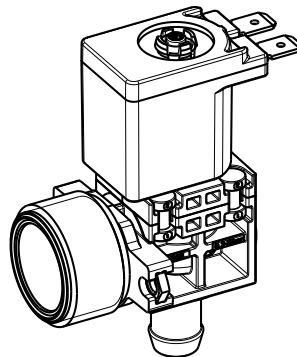
Screws are not included in delivery.

Technical Data

Type	solenoid valve	
Construction	2/2-way single chamber, inlet ninety degree to outlet, servo-controlled	
Function	NC (normally closed)	
Fitting position	any, preferably with coil upwardly	
Media	cold and heated potable water and physically and chemically similar media	
T-Medium	5 - 90	°C
T-Ambient	5 - 70	°C
DN	5	mm
p-Operating	0,2 - 10	bar
Flow factor Kv	7	l/min
Flow regulator	on request see Datasheet MR	
Pressure surge	according to EN 60730	
Coil type	MS 39 (MS 40 on request)	
Nominal voltages	see coils other voltages on request	
Voltage tolerance	+10% -15%	
Duty cycle	100%	
Nominal power	8 W	
Protection Type	see coils	
Coil connections	MS 39: flat tabs (IP00) 6,3 x 0,8 mm, MS 40: plug socket (IP65), flat tabs 6,3 x 0,8 mm, model B-industry form	
Insulation class	H	according to EN 60730
Protection class	see coils	according to EN 60730

Materials

Valve body	PA 6/6 glass fibre reinforced
Plunger guide	PPSU
Plunger and spring	stainless steel
Membrane and sealings	EPDM
Coil coating	PET
Filter (inlet)	stainless steel or pom



Options

ID	Inlet		Outlet		Length L	Height H	Coil
	Ø A	A1	Ø B	B1			
060200	G 3/8	12,5			44	75	MS 39 24 V DC
060201	G 1/2	15	Nozzle	17	46,5		
060202	G 3/4	15	3/8"		46,5		
060203	3/4-11.5 NH	15			46,5		

Other connector options on request.

Note on flexible plastic pipes in the outlet

When using flexible plastic pipes in the outlet, noise may occur when closing the valve after initial filling until the valve is completely vented.

When using flexible plastic pipes with a length of > 1,000 mm, the closing function must be checked by the customer.

Coils

Designation	Pro-tection Type	Nominal voltages		
		V DC	V AC	50 Hz
 (Protection class II)	IP00	12	V AC	
		24	V AC	50 Hz
		24	V AC	60 Hz
		230	V AC	50 Hz
		220 - 240 *1	V AC	50 - 60 HZ
 (Protection class I)	IP65	12	V DC	
		24	V DC	
		24	V AC	50 Hz
		120	V AC	60 Hz
		230	V AC	50 Hz
		220 - 240 *1	V AC	50 - 60 HZ

*1 without voltage tolerance