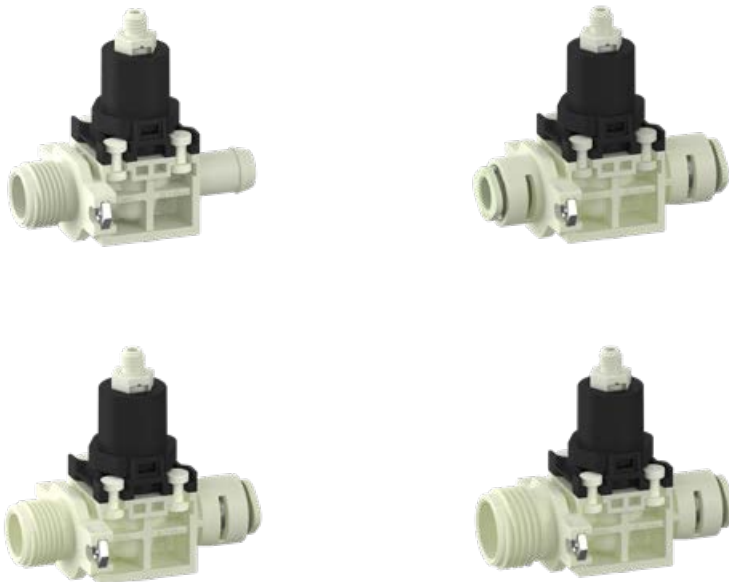




### Series 62.005.826



### Characteristics

- Bi-stable
- Mechanical valve release at the push of a button
- Easy to use thanks to manual actuation with minimal effort
- Suitable for hot water up to 90 °C
- Optimized water hammer characteristic by low noise emission according to EN 60730
- Long term performance capability
- High operating safety by the use of high quality materials and 100% final testing of the products

### Description

2/2-way bi-stable servo controlled valve of nominal diameter DN 5 with mechanical valve release.

Through manual actuation, like a button at a ball-point pen, opens and closes the valve. The manual actuation allows for example the manual shut-off of the fluid inlet without an external energy supply necessary.

Valves of this design are single chamber, straight valves and can be manufactured with various connections.

This compact valve is ideally suited as a water inlet valve with a flow factor Kv of 7,5 l/min.

The solenoid valve is suitable for use with potable water and physically and chemically similar media. The glass fibre reinforced polyamide valve body resists hot water of 90 °C.

### Applications

- Faucets and bidet
- Steam appliances
- Dental appliances
- Hot / cold drink dispensers
- Industrial appliances
- Air conditioning
- Agricultural devices
- Cleaning Systems
- Temperature control devices
- Ice machines
- Water treatment installations

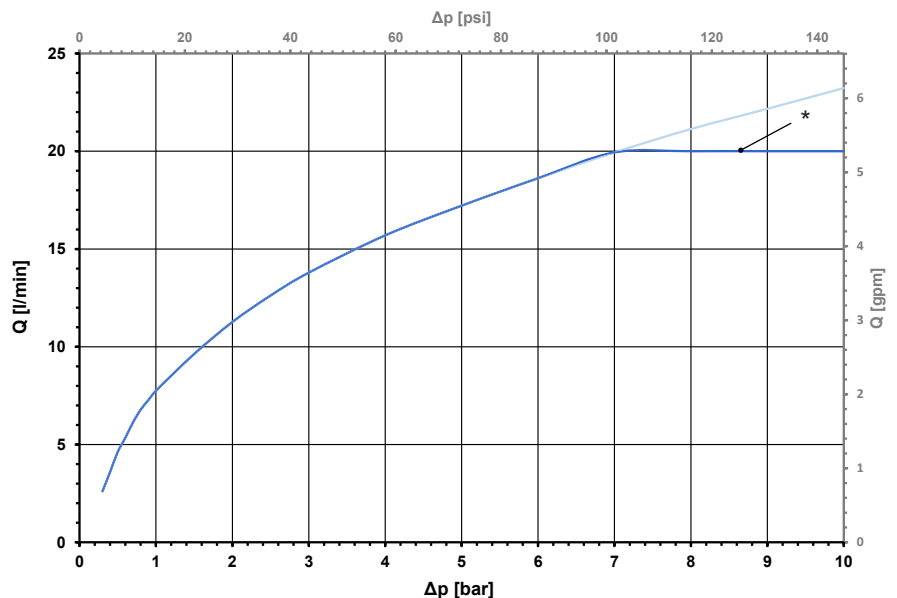
### Approvals

Approved variants available on request:

**KTW - BWGL ACS**

- KTW-BWGL
- ACS
- Other approvals available on request

Typical Performance Curve

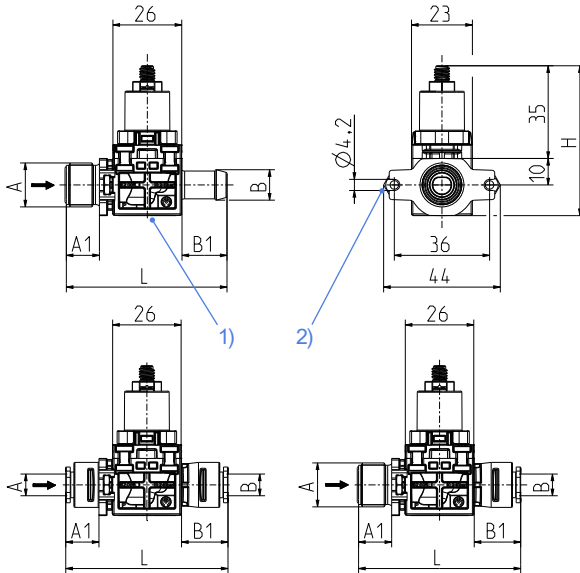


\* The flow rate is to be limited by the user to 20 l/min



Series 62.005.826

Technical Data

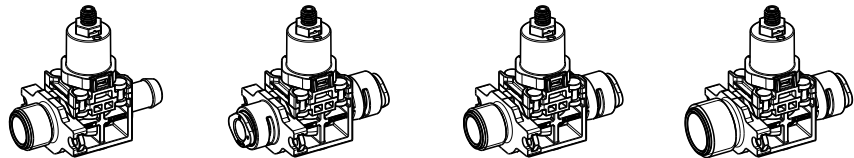


- 1) Fixing groove for E-jot Delta PT 40 x 8
  - 2) Wall mounting with screw and nut M4
- Screws are not included in delivery

<b>Type</b>	servo controlled valve with mechanical valve actuation	
<b>Construction</b>	2/2-way single chamber straight valve, servo-controlled	
<b>Function</b>	manually operated, latching	
<b>Fitting position</b>	any, preferably with coil upwardly	
<b>Media</b>	cold and heated potable water and physically and chemically similar media	
<b>T-Medium</b>	5 - 90	°C
<b>T-Ambient</b>	5 - 60	°C
<b>DN</b>	5	mm
<b>p-Operating</b>	0,2 - 10	bar
<b>Flow factor Kv</b>	7,5	l/min
<b>Q-max</b>	20	l/min
<b>Flow regulator</b>	on request	
<b>Pressure surge</b>	according to EN 60730	

Materials

<b>Valve body and Plunger guide</b>	PA 6/6 glass fibre reinforced
<b>Plunger and spring</b>	stainless steel
<b>Membrane and sealings</b>	EPDM
<b>Filter (inlet)</b>	stainless steel



Options

Inlet		Outlet		Length	Height	ID
Ø A	A1	Ø B	B1	L	H	
G 3/8	12,5	11,5 nozzle	17	61	57	057950
PushFit 8 mm	12,6	PushFit 8 mm	17,6	61,3		057951
G 3/8	12,5	PushFit 8 mm	17,6	61,3		057952
G 1/2	15	PushFit 8 mm	17,6	63,8		057953

Other connector options on request.