



Series IRS-PS-x

Europe

IRS-PS-UE
12 VDC



Global

IRS-PS-UG
12 VDC



Characteristics

- For powering external IR-sensors
- Efficiency Class Level VI
- Compact design
- High reliability
- Safety in case of power failure due to additional energy buffer
- RoHS compliant

Approvals



- UL

Description

The power supply unit has been developed for the application of bistable A. u. K. Müller valves, in connection with the control sensor IRS-WT-x, for mains operation.

Due to the integrated energy storage, it has the special feature of emergency shutdown of the valve after failure of the mains supply.

In the event of a sudden power failure (blackout), residual energy is temporarily stored in the power supply unit. The sensor recognises the sudden voltage drop and then uses the residual energy from the power supply unit to trigger a final closing pulse, which closes any valve that may still be open despite the lack of supply voltage.

Costs caused by persistent water flow or even expensive water damages can effectively be avoided.

Applications

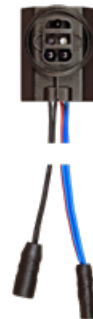
- Power Supply IRS-PS-Ux for:
x: E = Europe
x: G = Global

IRS-WT	Faucet
IRS-WT-E	Faucet Eco Mode short range
IRS-WT-OF	Faucet ON/OFF Mode

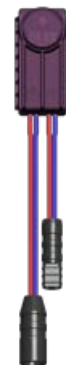
IRS-UWS-U	Urinal (Stadium Mode included)
IRS-UWS-WC	WC
IRS-UWS-B DM	Shower (Body Detect Mode)
IRS-UWS-HDM	Shower (Hand Detect Mode)

- Power Supply IRS-PS-Ux for:
x: E = Europe
x: G = Global

IRS-WT-MSF	Faucet flat screen
IRS-WT-MSC	Faucet curved screen



Low voltage connection
12 VDC ± 5%



Low voltage connection
12 VDC ± 5%



Series IRS-PS-x

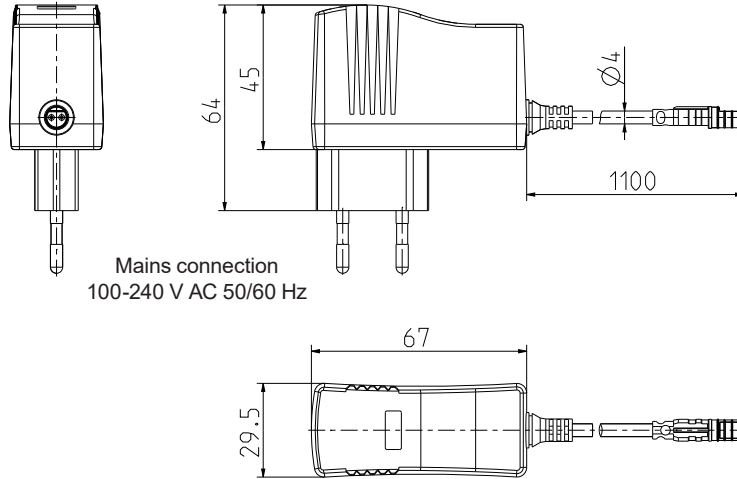
Technical Data

IRS-PS-UE
IRS-PS-UG

Input	
Rated AC input voltage	100 - 240 V AC
Rated input frequency	50/60 Hz
AC input current	400 mA max.
Output	
Output voltage	12 V DC
Output current	830 mA
Output power	10 W max.
Short circuited protection	Output will be less than rated output voltage, AC input power peak will be less than 2 W. Auto-Recovery function.
Over current protection	Protection level will be less than 120 % of output current. Auto-Recovery function.
Over voltage protection	Protection level will be less than 120 % of output voltage.
Environment	
Operating temperature	0 - 40 °C
Storage temperature	-20 - 70 °C
Operating humidity	75 % RH
Storage humidity	95 % RH
Protection class	IP 40 (IRS-UE) IP 20 (IRS-UG)
Mechanical	
Case	PC + ABS
Weight	75 g

Euro Version
IRS-PS-UE

ID: 009338
12 VDC



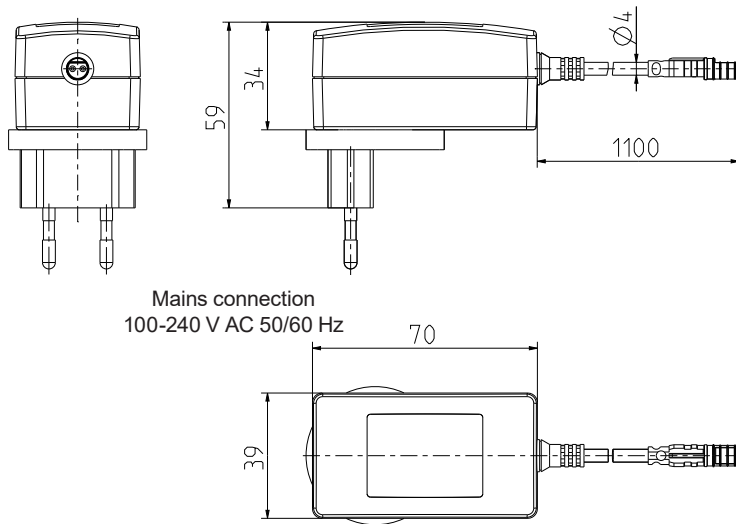


Series IRS-PS-x

Global Version for Various Plug Systems

IRS-PS-UG

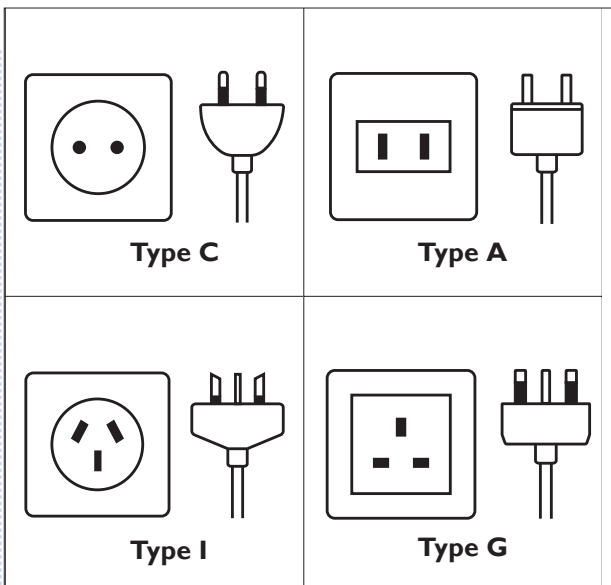
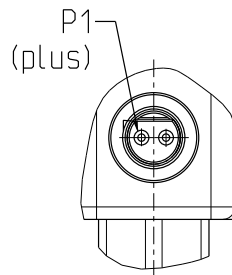
ID: 009293 (only power supply)
12 VDC



-----The mains plug can be changed to different plug systems through the adapters.

Adapter (necessary for operation with power supply unit IRS-PS-UG)

ID	Type	Designation	
009494	A	Nema - male connector	USA
009493	C	CEE 7/16	Europe
009496	G	BS 1363	United Kingdom
009495	I	AS3112	Australia





Solenoid valves
Control valves
Special valves and systems

A. u. K. Müller GmbH & Co. KG
Dresdener Str. 162
D-40595 Düsseldorf/Germany

Tel.: +49(0)211-7391-0
Fax: +49(0)211-7391-281

e-mail: info@akmueller.de
Internet: www.akmueller.de